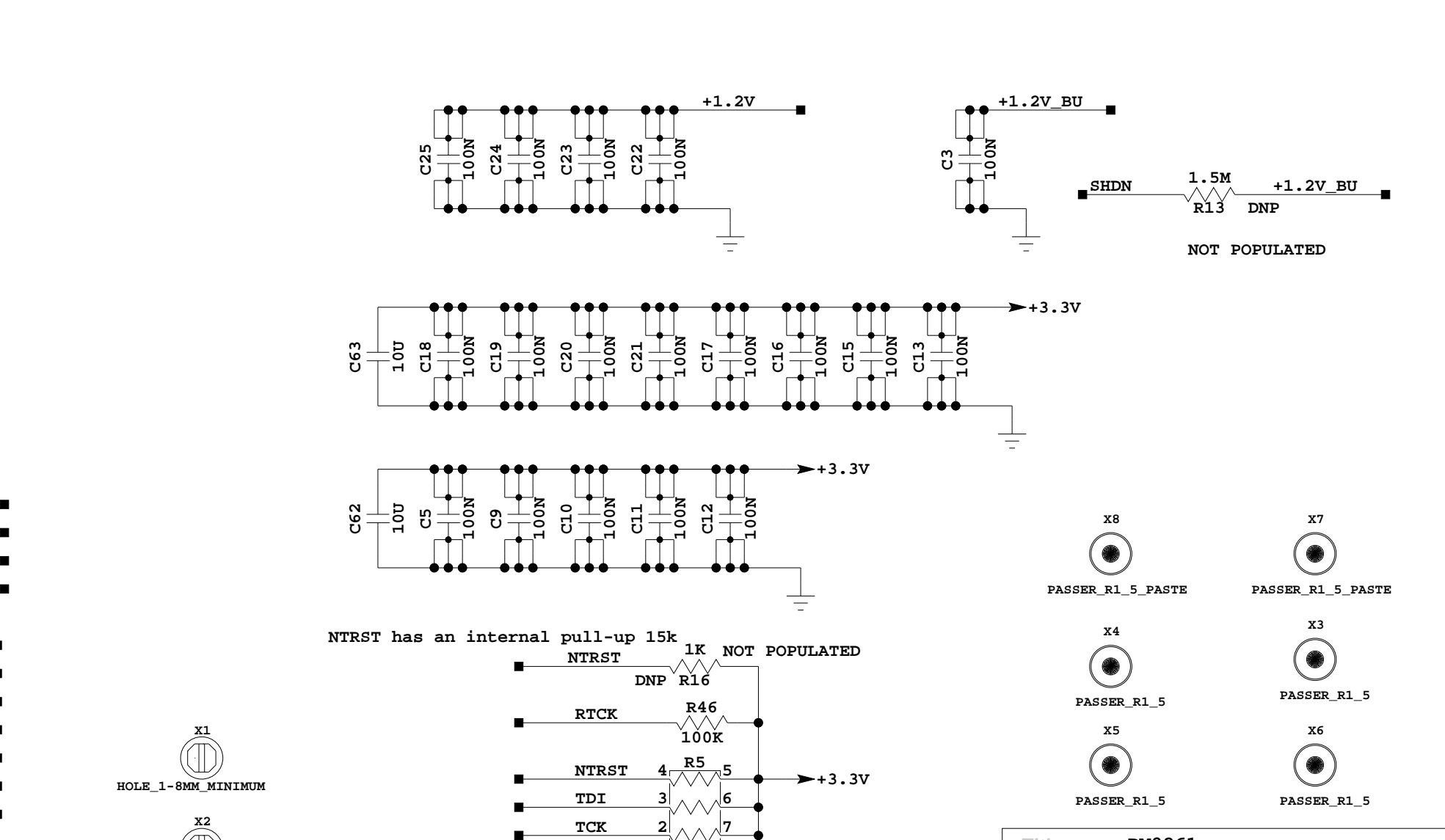
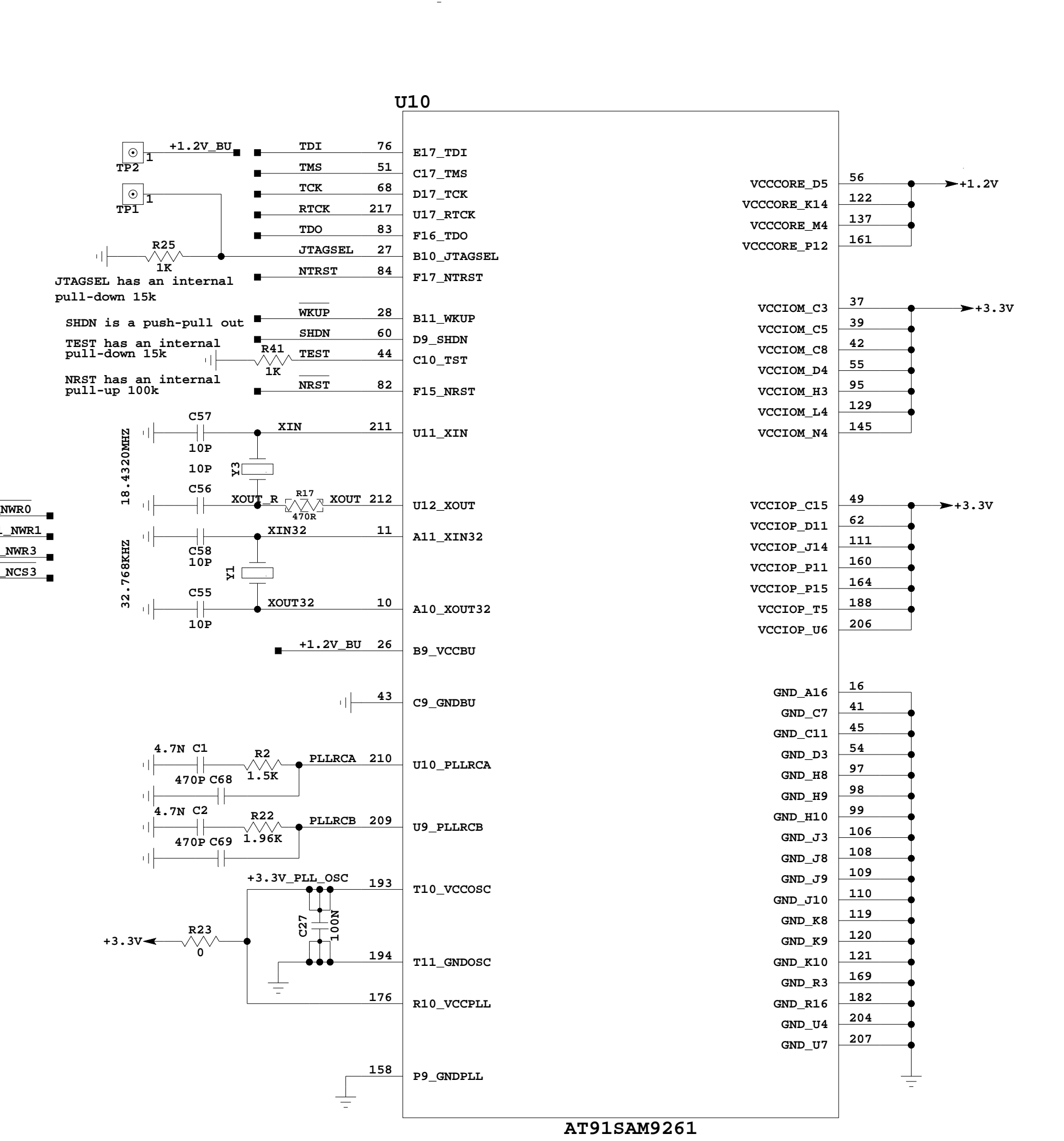
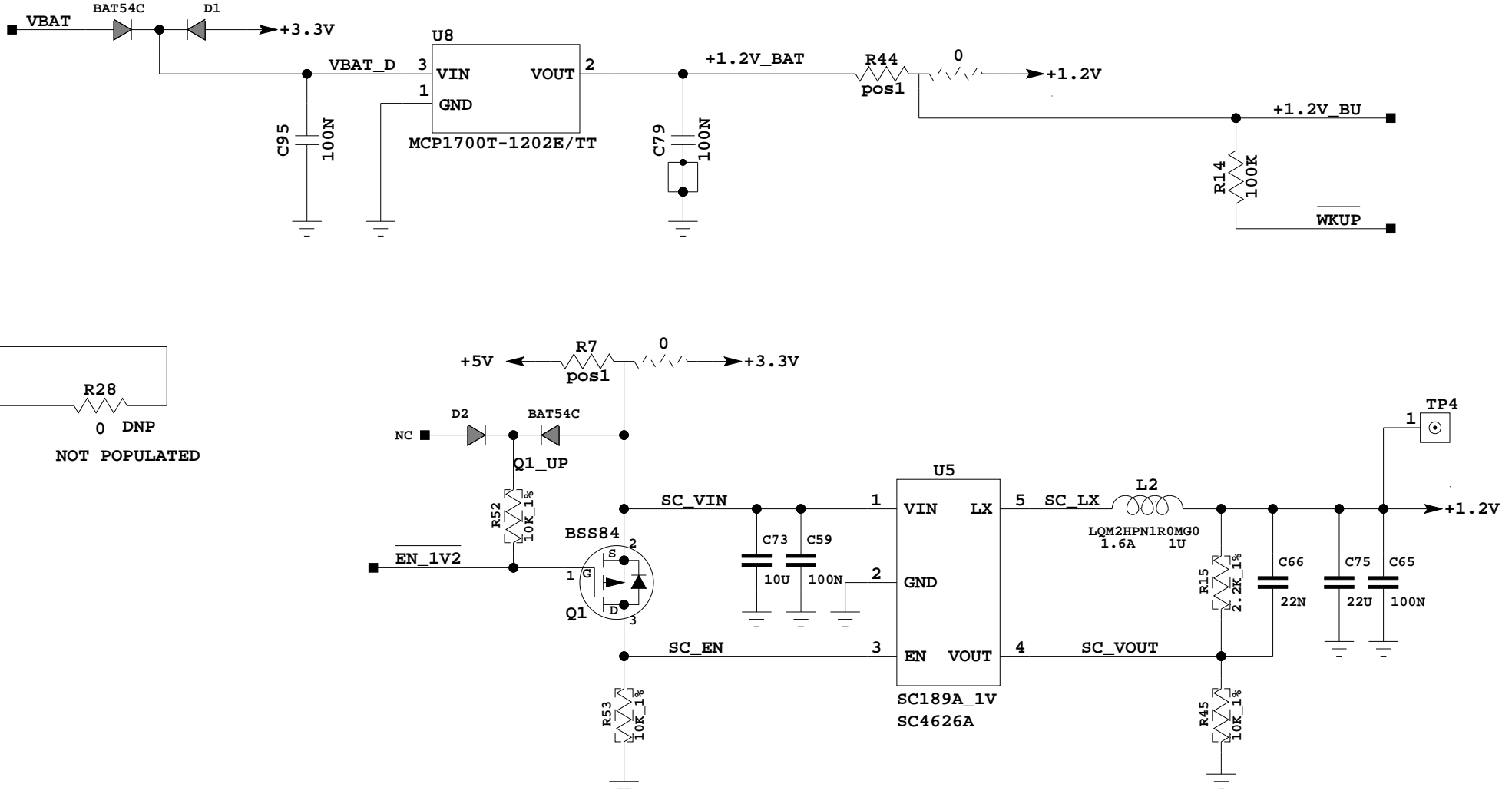
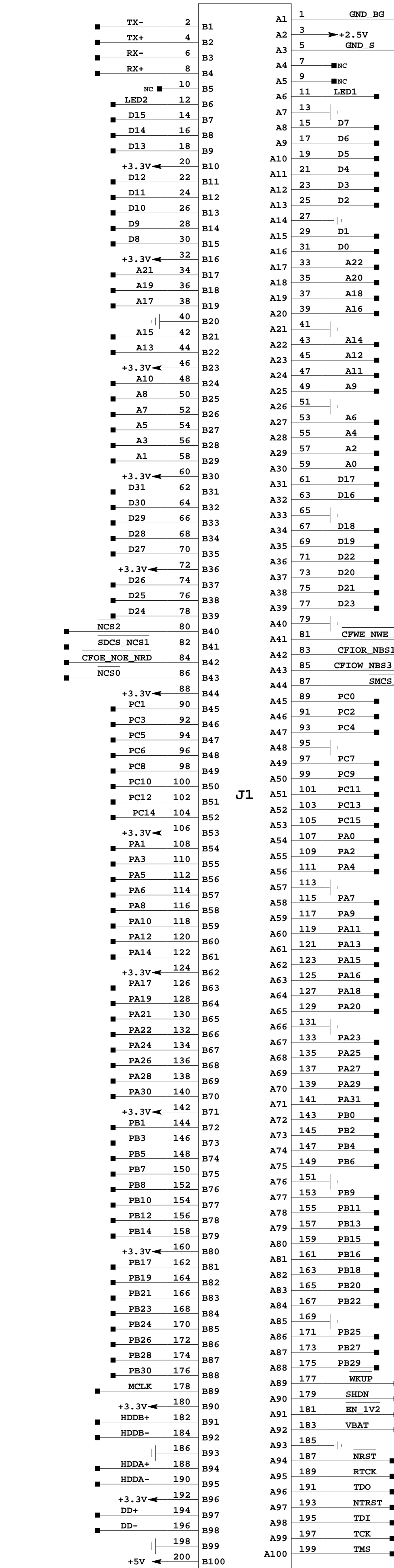
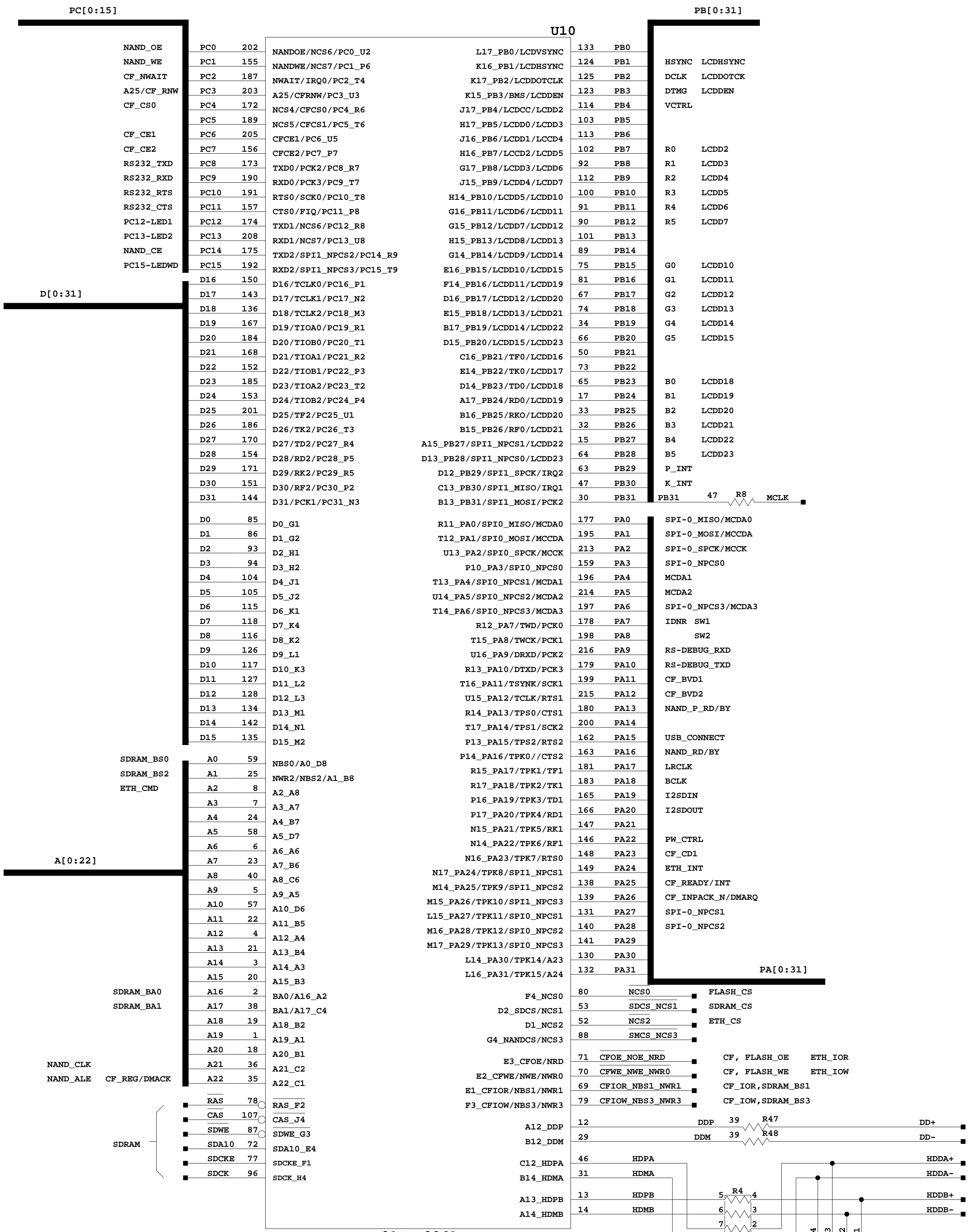


# CPU Module PM9261 v1.2

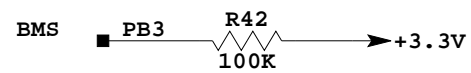
## Release notes:

- 1.2V BU regulator chaged from TPS77012 to MCP1700
- removed dual footprint for NAND Flash
- removed altenative 1.2V regulator (TPS7201QD)
- changed 1.2V regulator to SC189A
- removed SPI Flash in SSOP8
- added SPI Flash AT25DF in SO8
- added serial 470R to XOUT
- added serial 0R to NAND RD/BY
- added 10k pull-up to NAND RD/BY





BMS has an internal pull-up 100k



Note:  
The temperature range for the Boot ROM use is 0°C / 70°C.

