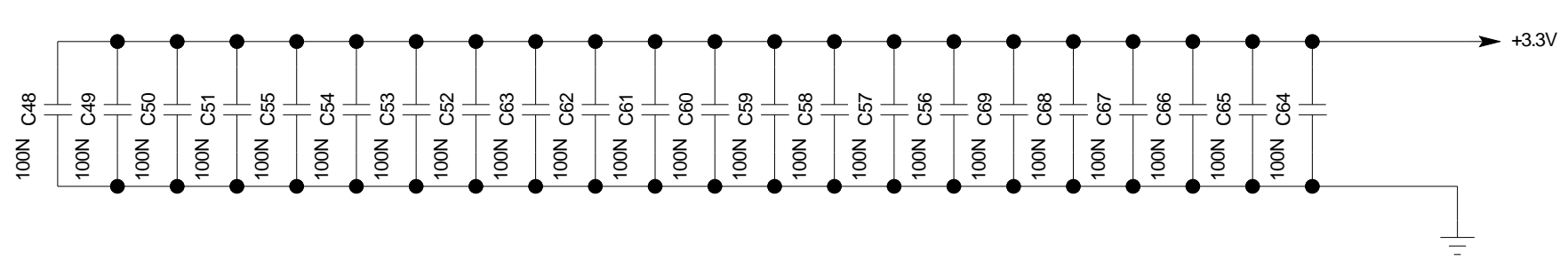
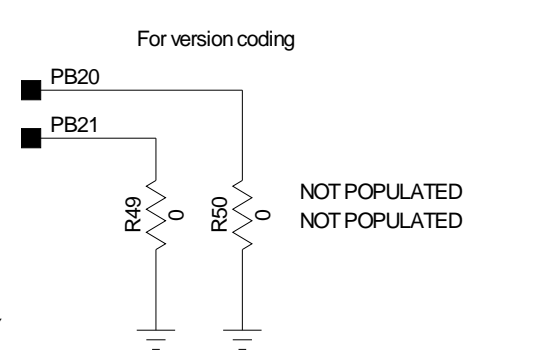
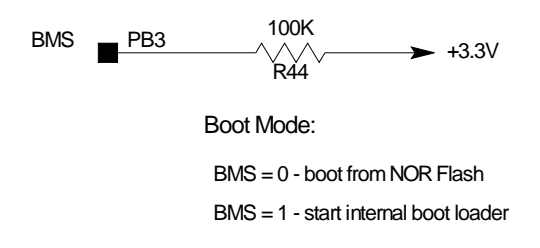
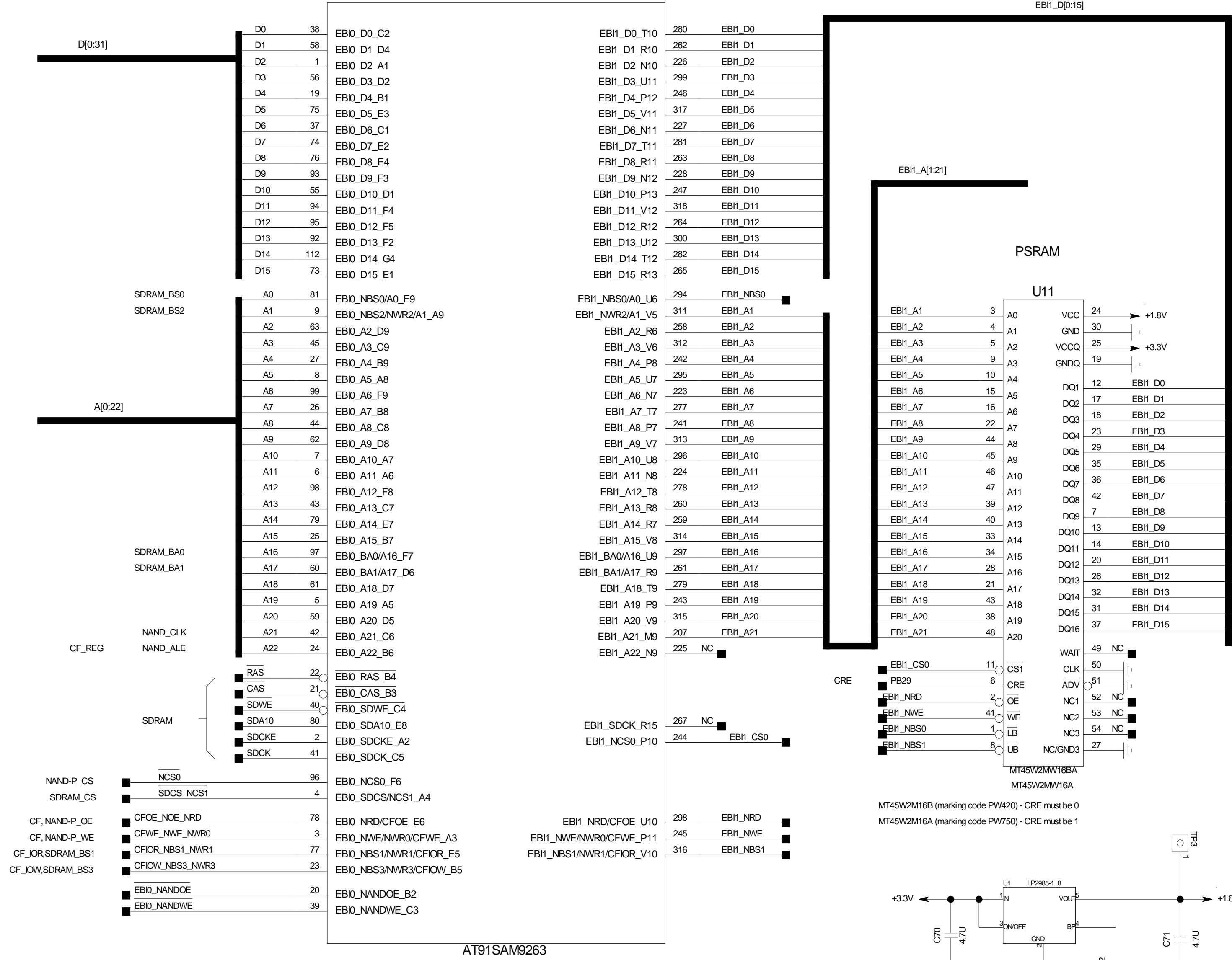
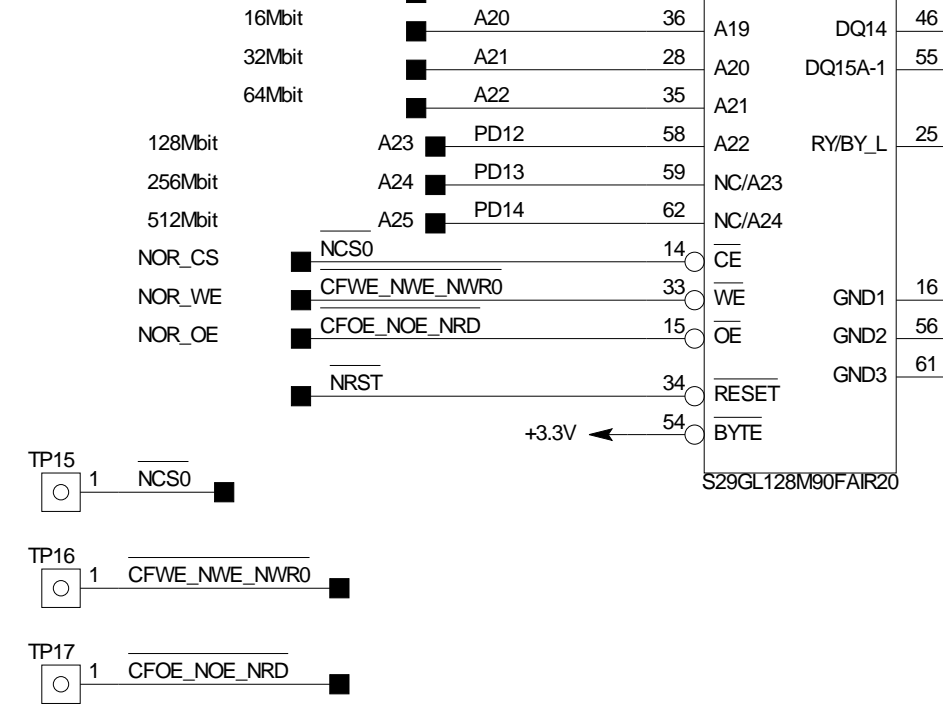
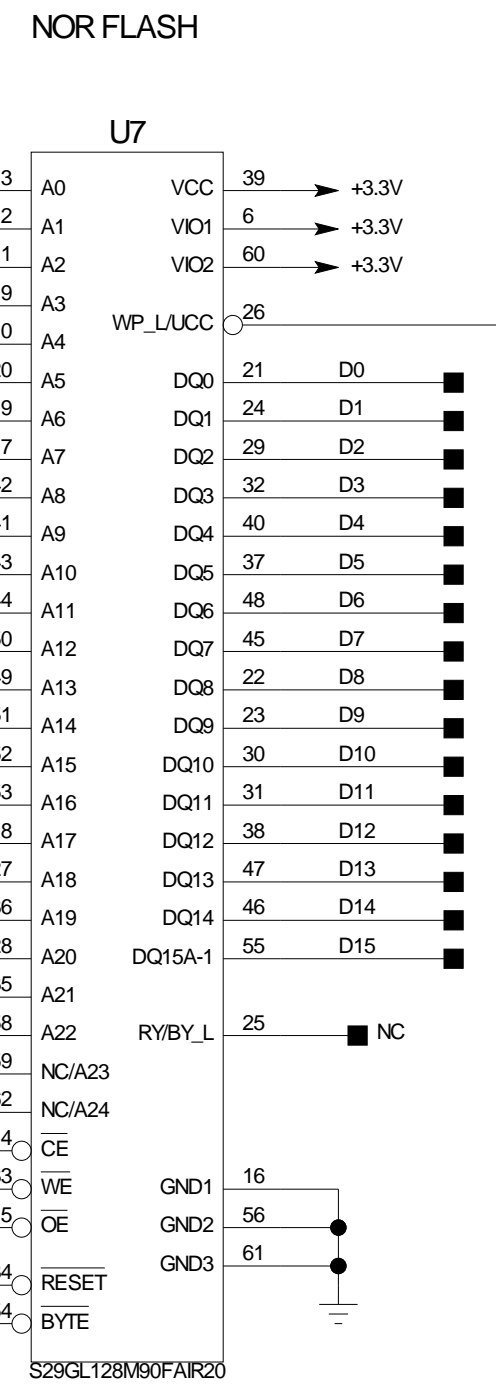
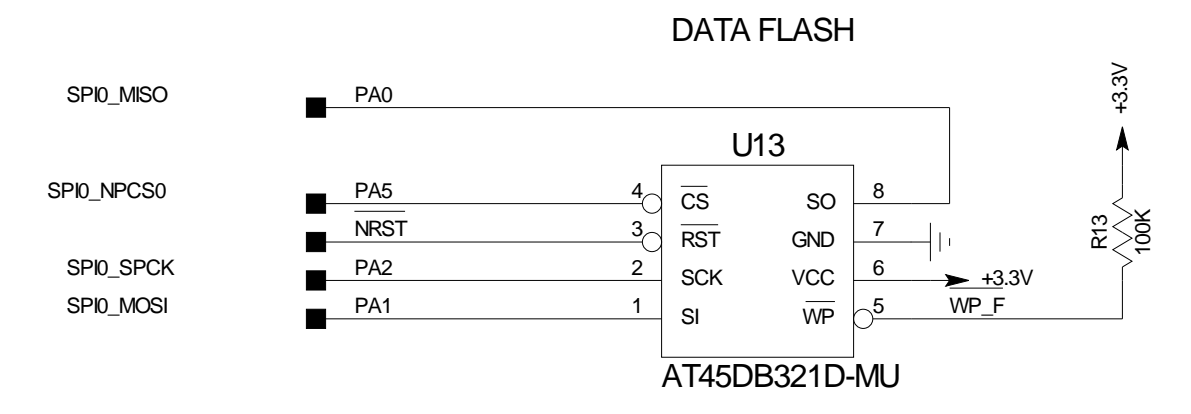
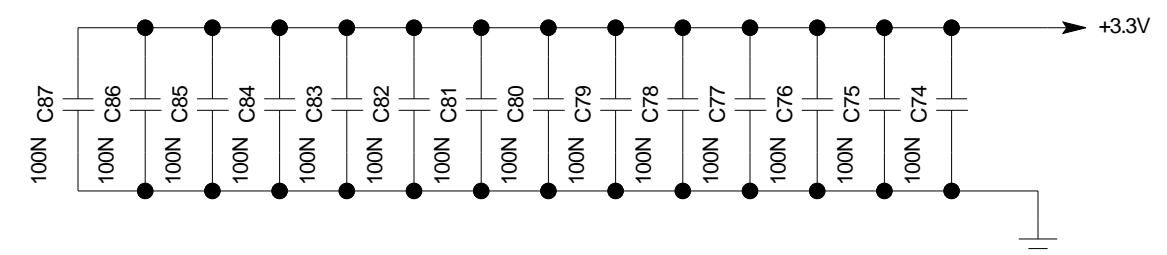
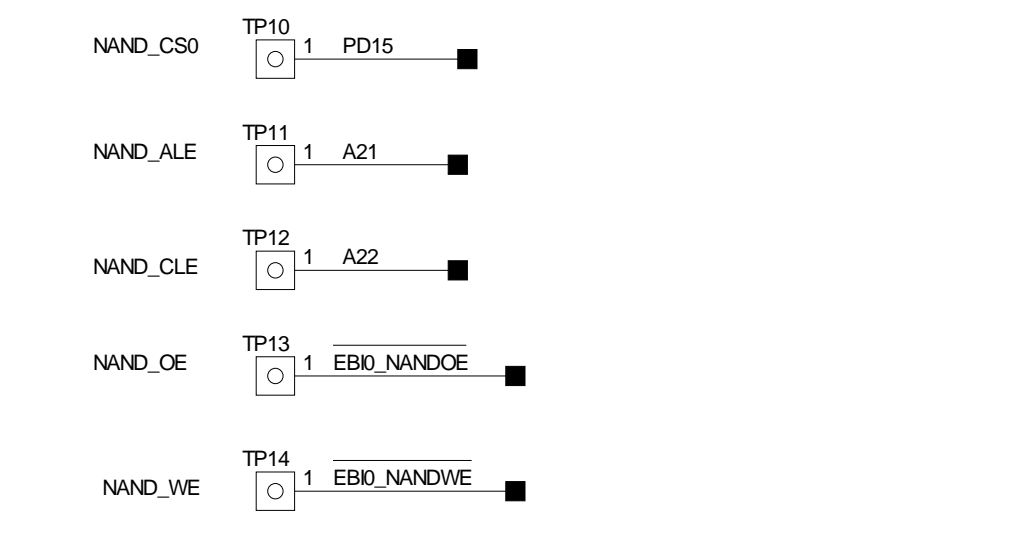
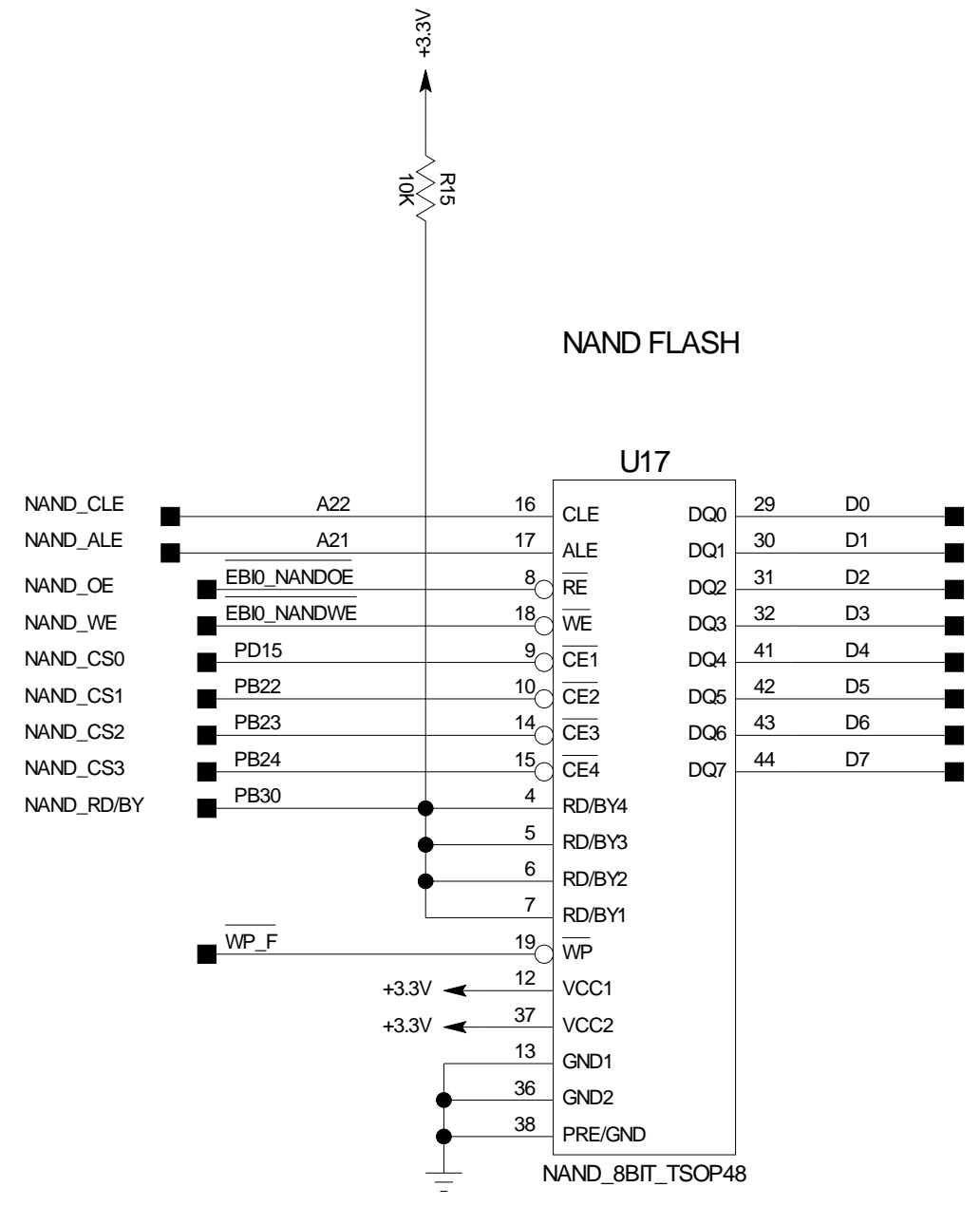
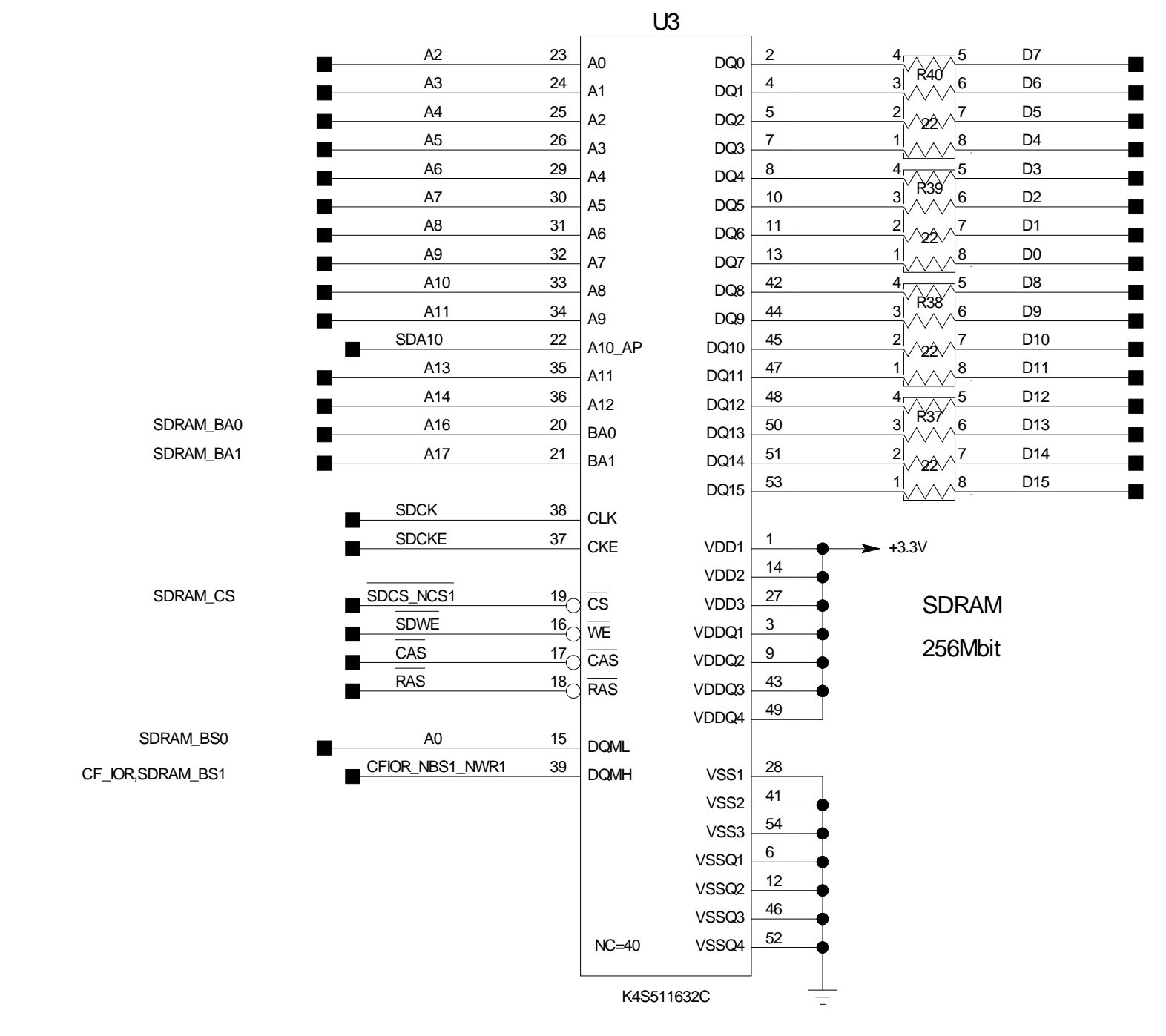
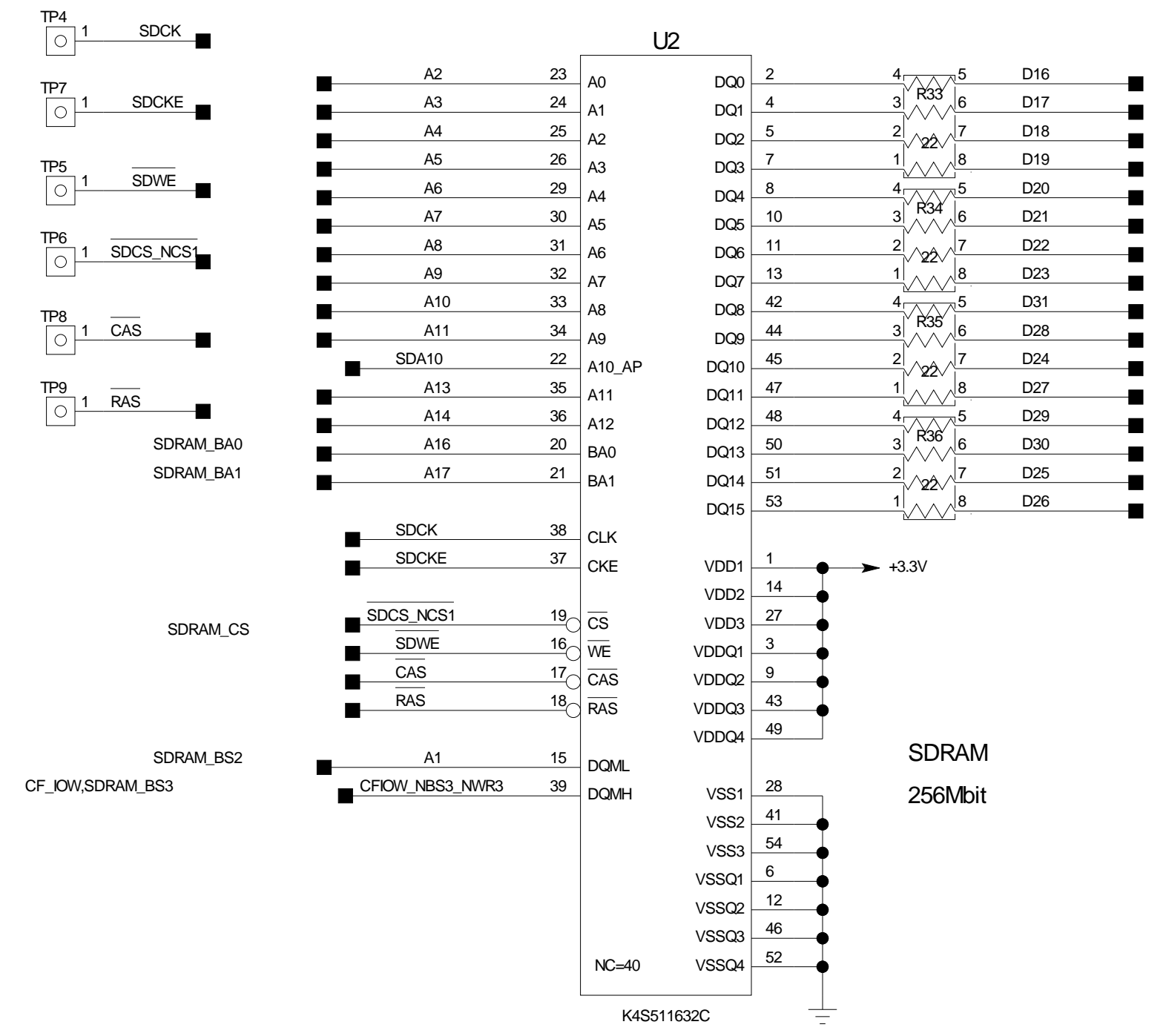


The Base Board should have a 1.0k pull-down to boot from NOR Flash

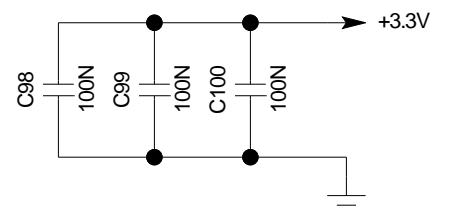
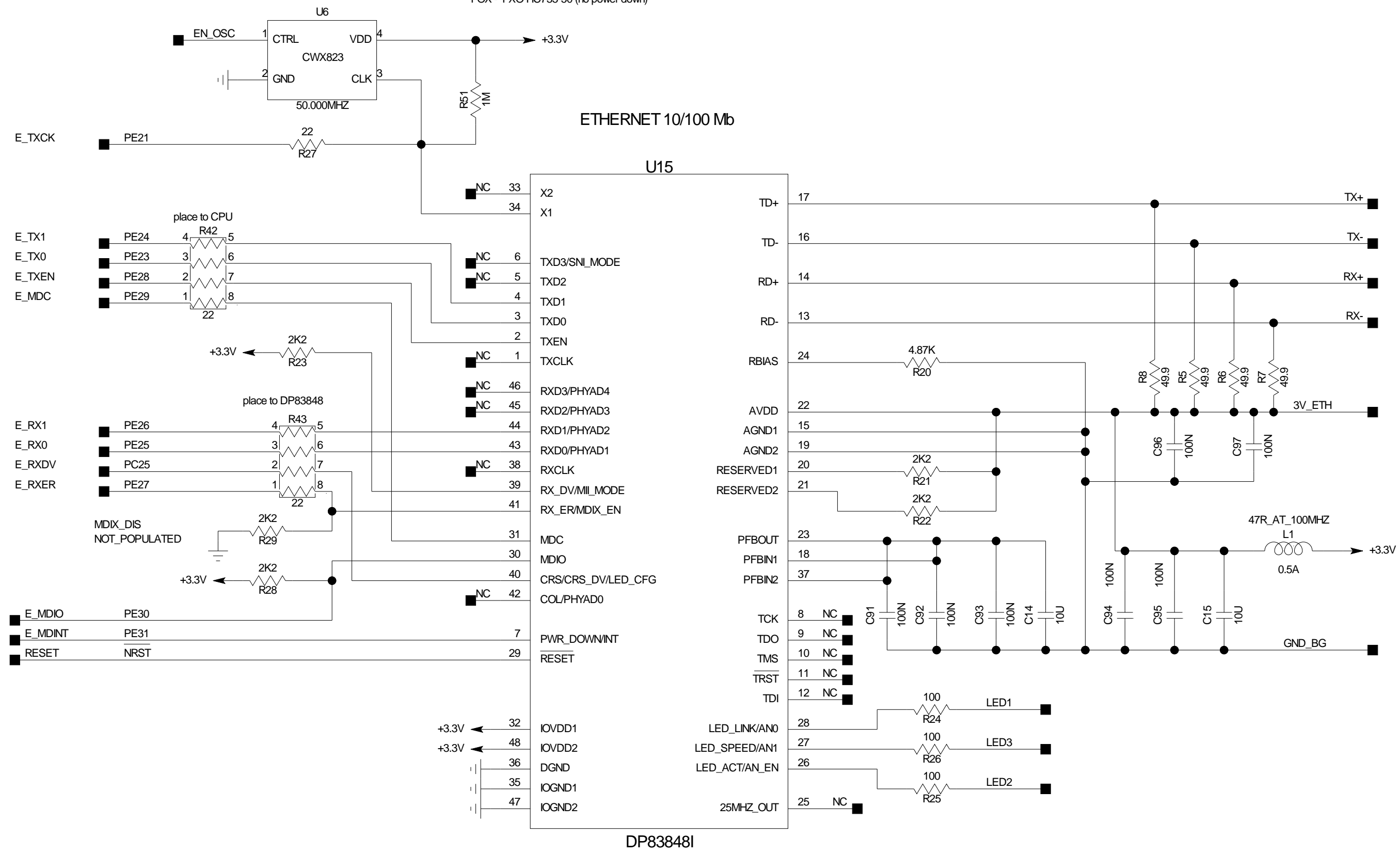


U14

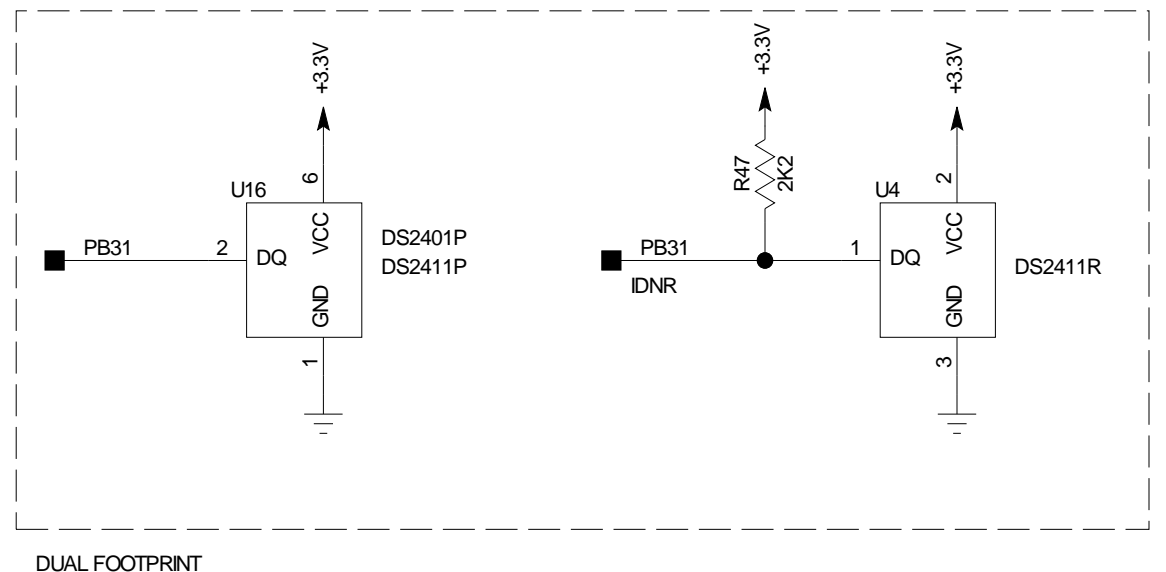




CONNOR-WINFIELD - CWX823-50.0M
 AVX/KYOCERA - K50-3C0SE50.0000MR
 ABRACON - ASV-50.000MHZ-EJ-T
 FOX - FXO-HC735-50 (no power down)

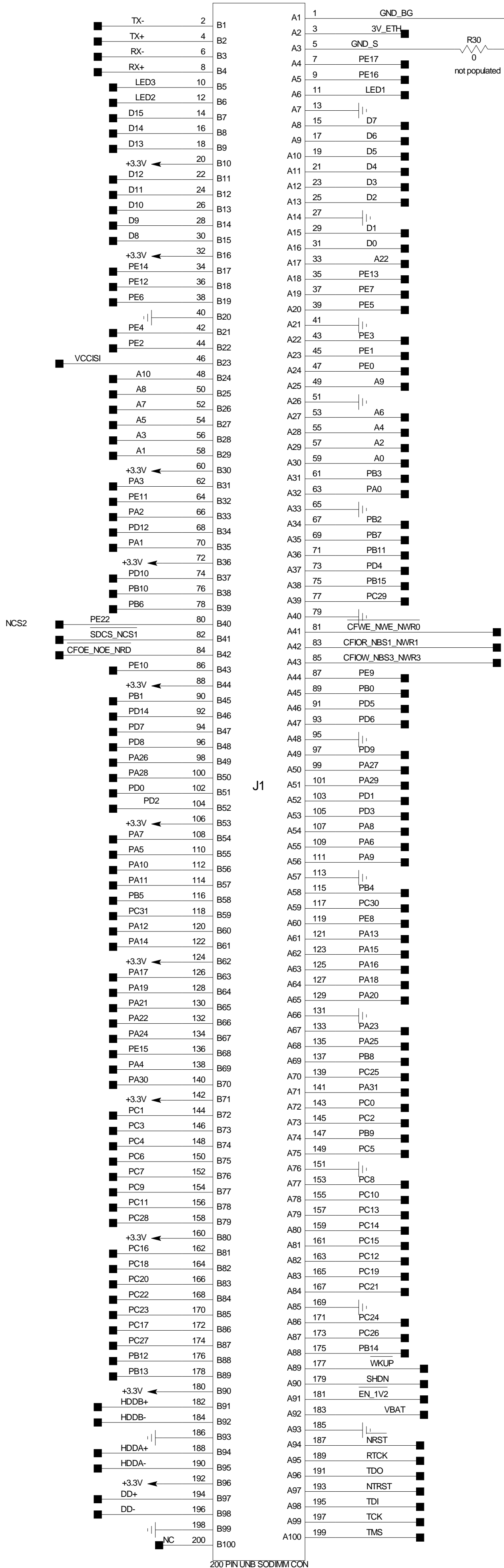


SERIAL NUMBER CHIP



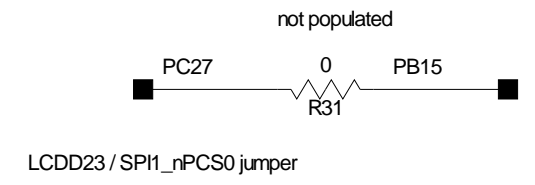
DUAL FOOTPRINT

2.5V DDR1 SODIMM200 CONNECTOR



Recommended SODIMM200 2.5V connectors:
 FCI 10033853-052FSLF
 JAE MM50-200B1-1E

NOTE:
 PM9263 v1.0 fits in 1.8V and 2.5V SODIMM200 connectors, but
 PM9263 v1.1 fits only in 2.5V SODIMM200 connectors



LCDD23 / SPI1_nPCS0 jumper

J1

200 PIN UNB SODIMM CON