

SAM9x5-CM part numbers:

SAM9G35-CM - populated AT91SAM9G35

SAM9G25-CM - populated AT91SAM9G25

SAM9G15-CM - populated AT91SAM9G15

SAM9X35-CM - populated AT91SAM9X35

SAM9X25-CM - populated AT91SAM9X25

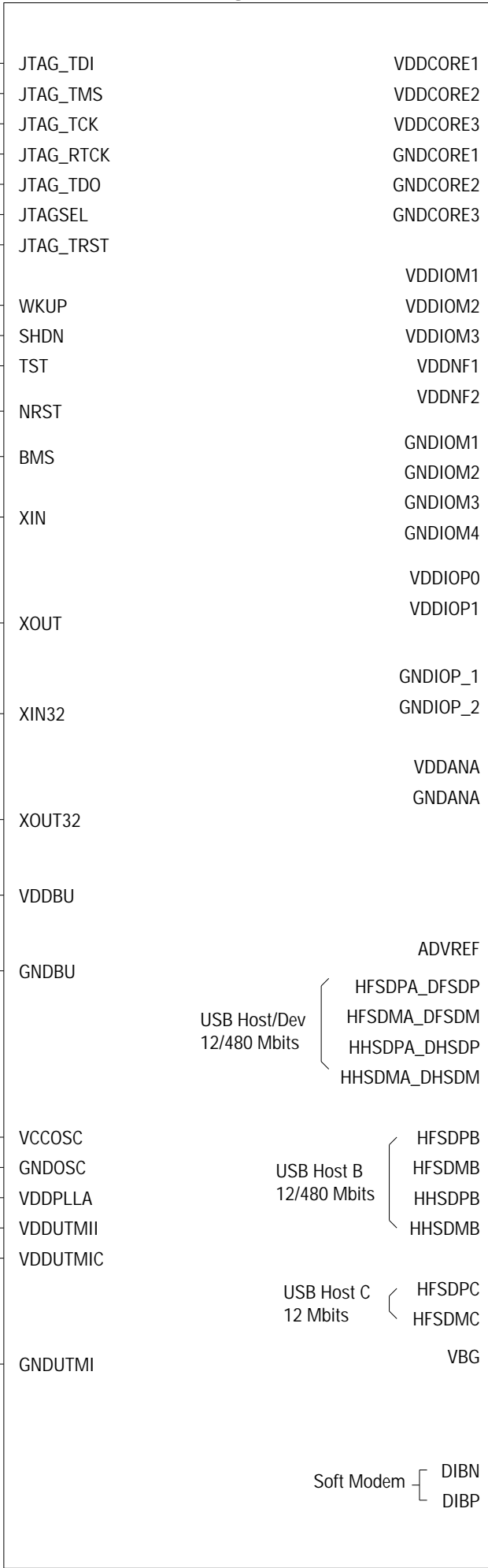
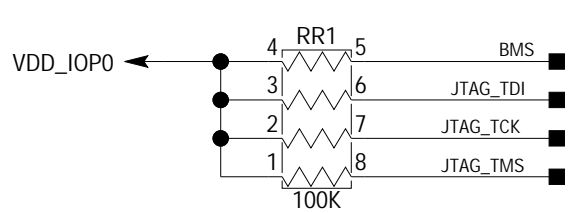
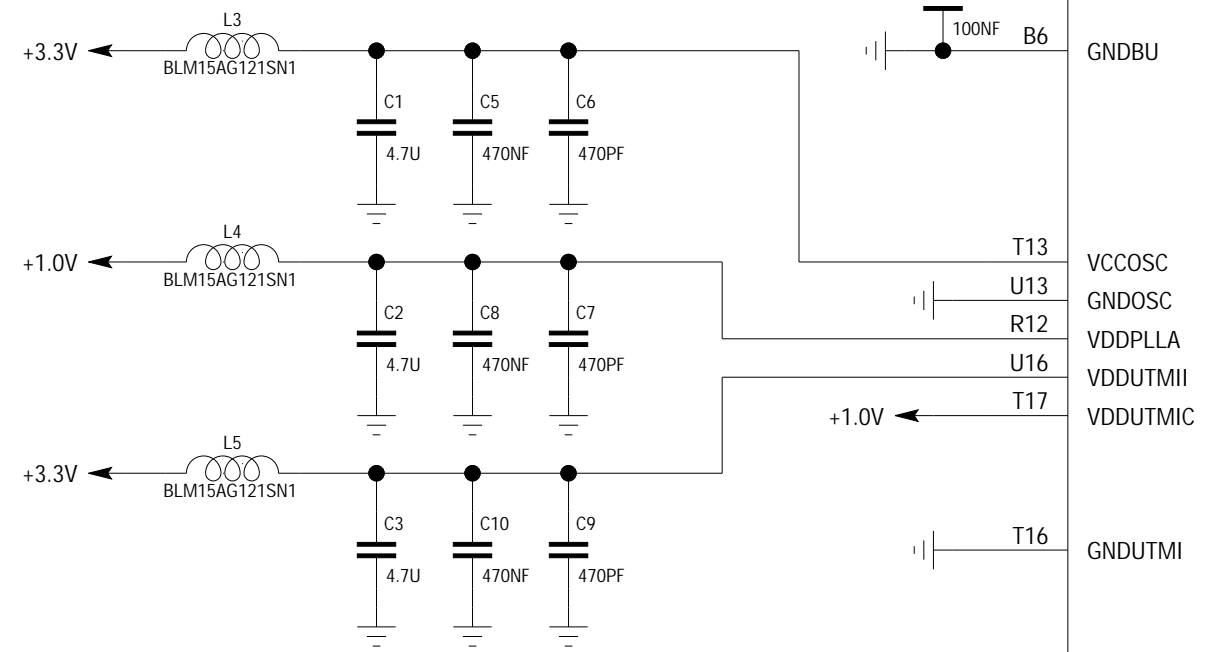
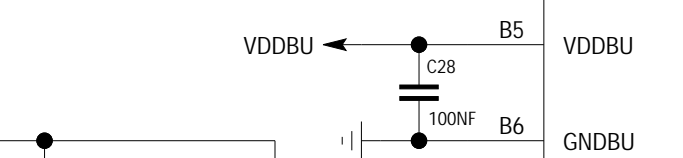
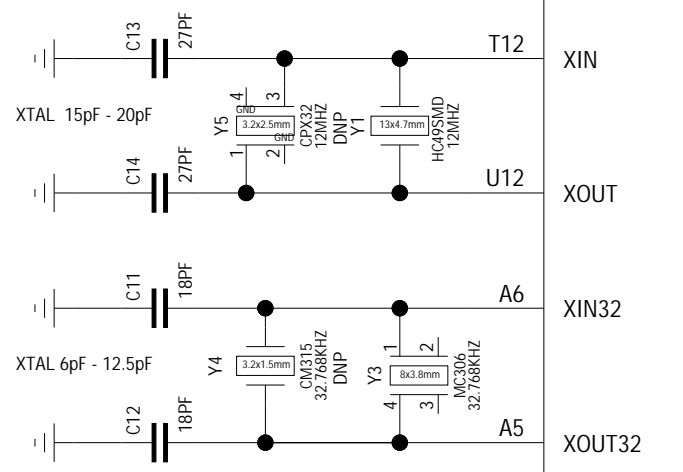
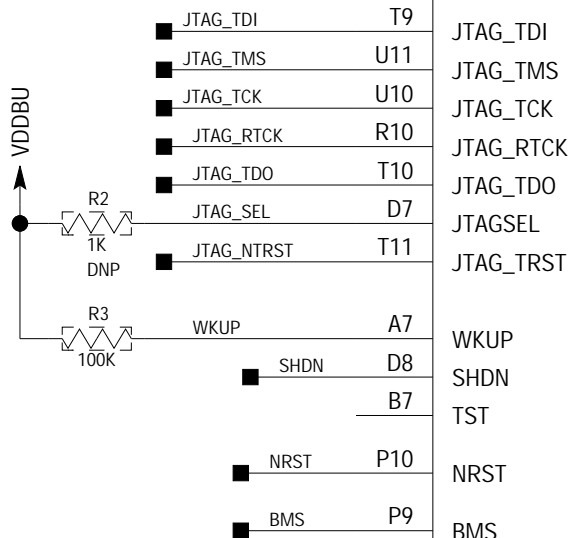
SAM9G35-CM-PHY - populated AT91SAM9G35 and ETH PHY

SAM9G25-CM-PHY - populated AT91SAM9G25 and ETH PHY

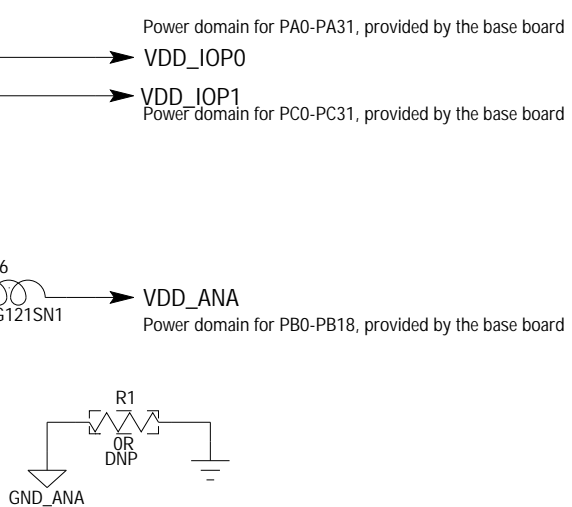
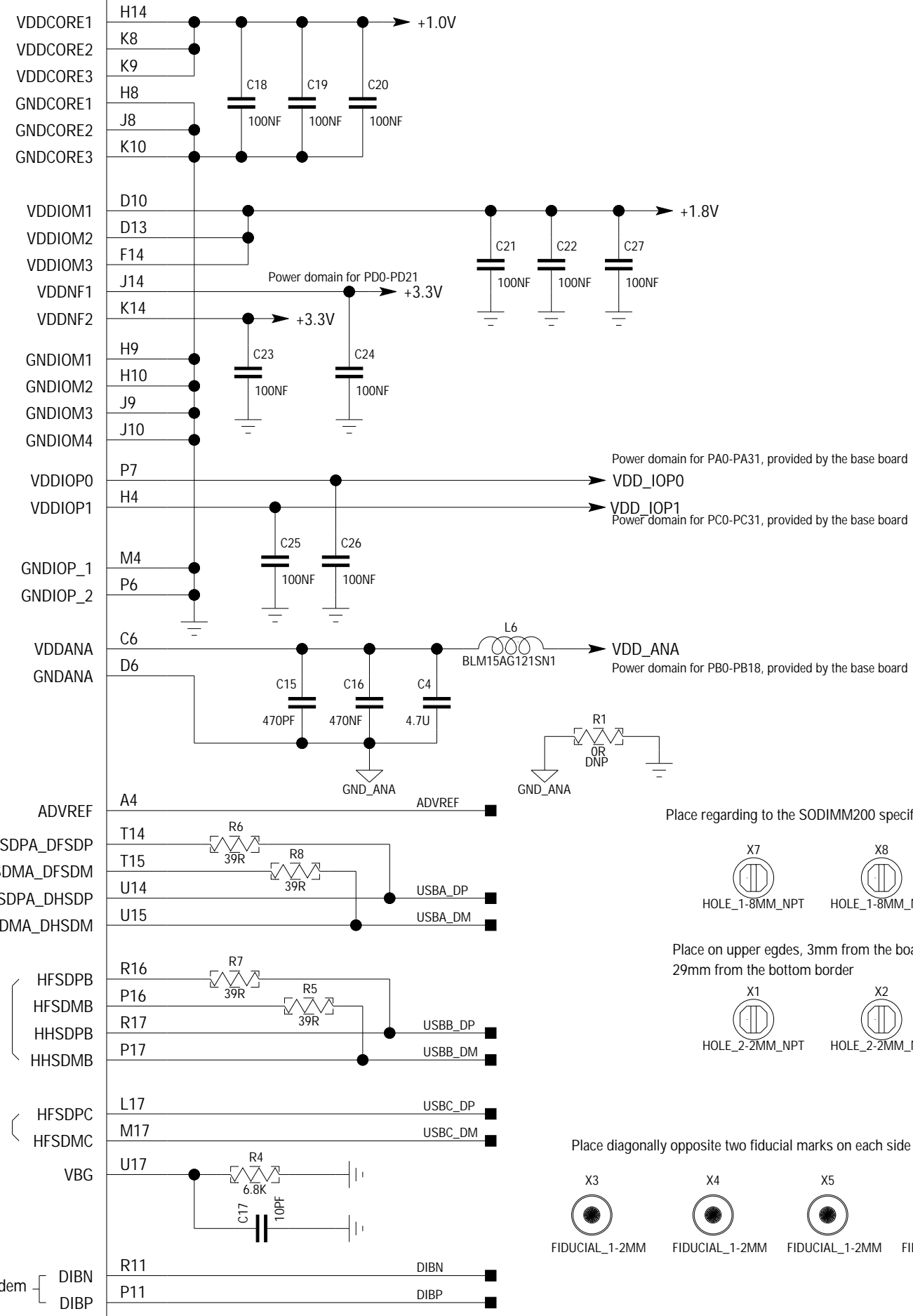
SAM9X35-CM-PHY - populated AT91SAM9X35 and ETH PHY

SAM9X25-CM-PHY - populated AT91SAM9X25 and ETH PHY

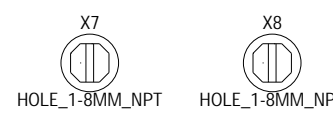
All modules also available for -40° +85°C



AT91SAM9x5



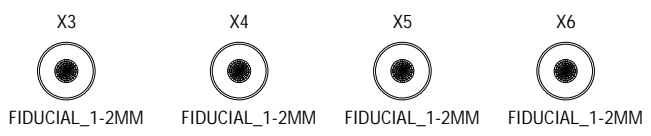
Place regarding to the SODIMM200 specification



Place on upper edges, 3mm from the board outline, 29mm from the bottom border

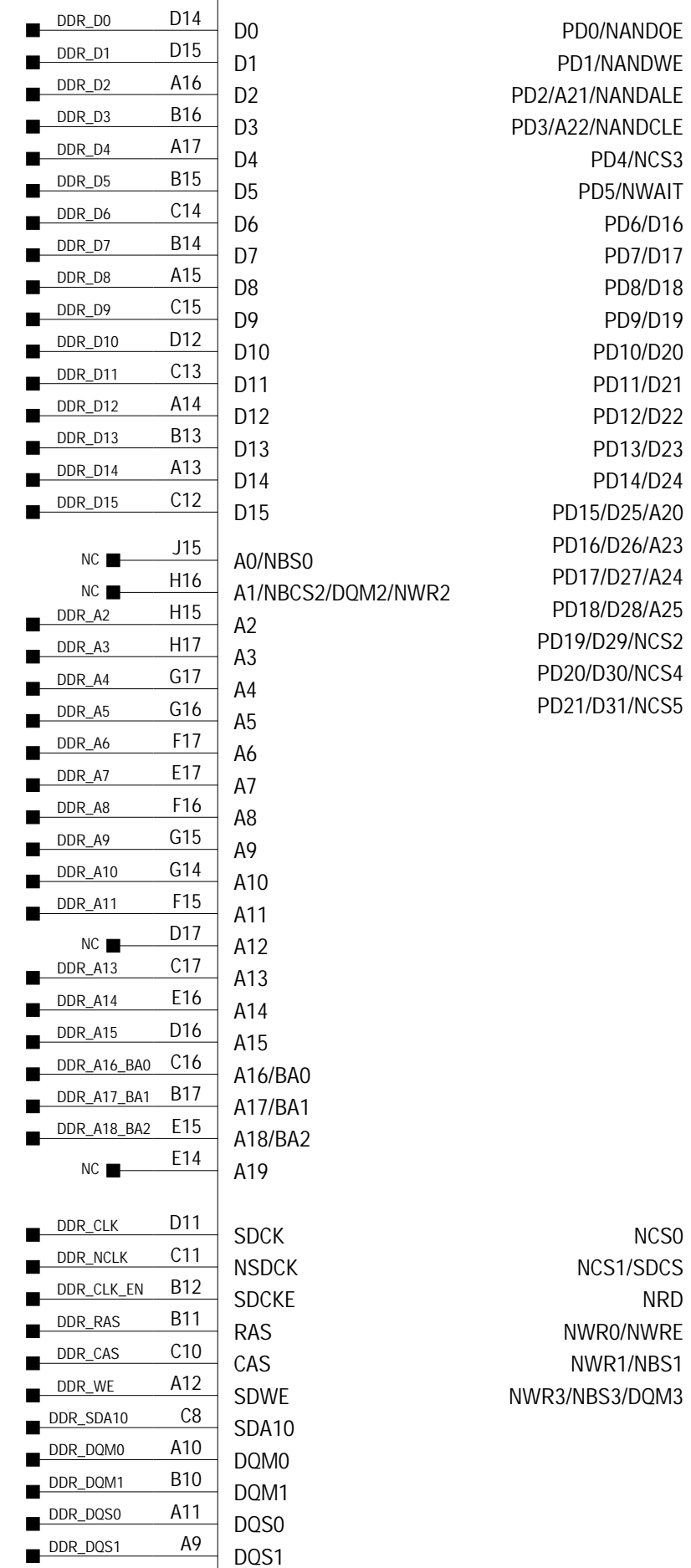


Place diagonally opposite two fiducial marks on each side

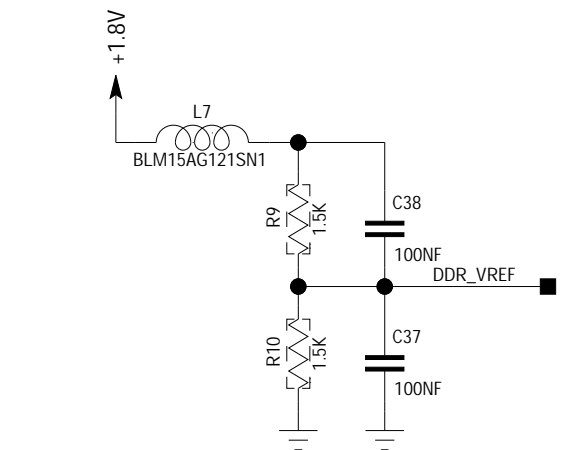
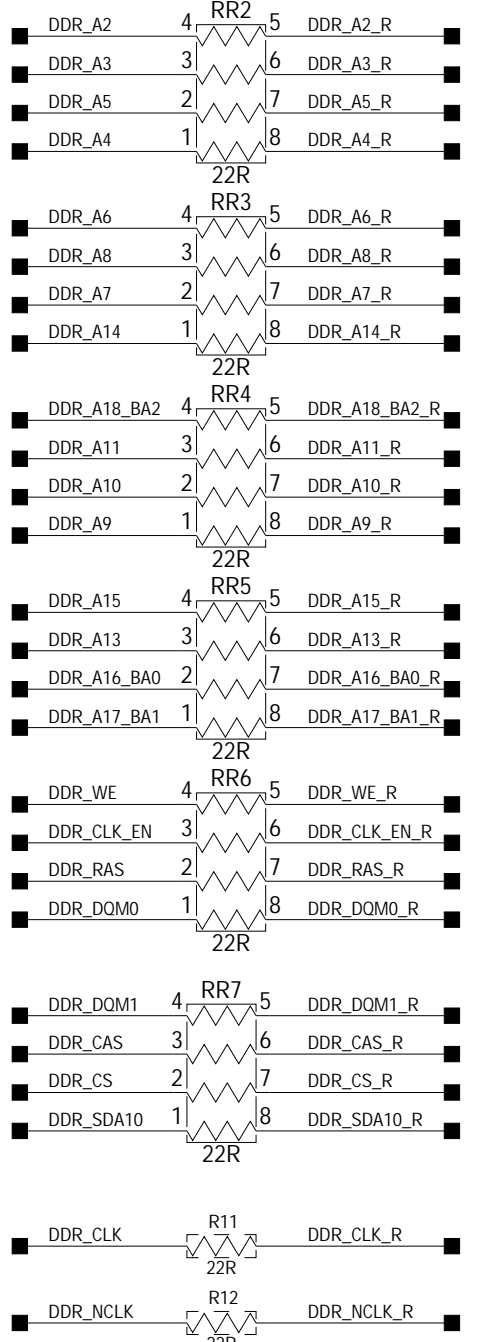
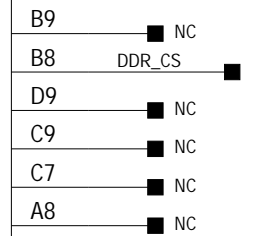
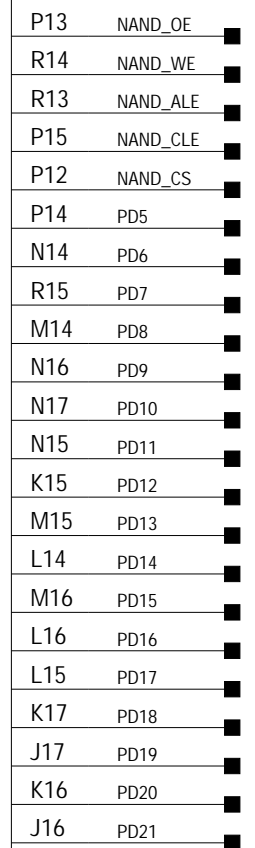


Title: RNETIX - SAM9x5-CM		
Size A3	Document: CPU - POWER SUPPLY	Rev. 2.0
Date: 7-25-2011_11:07	Sheet 1 of 7	

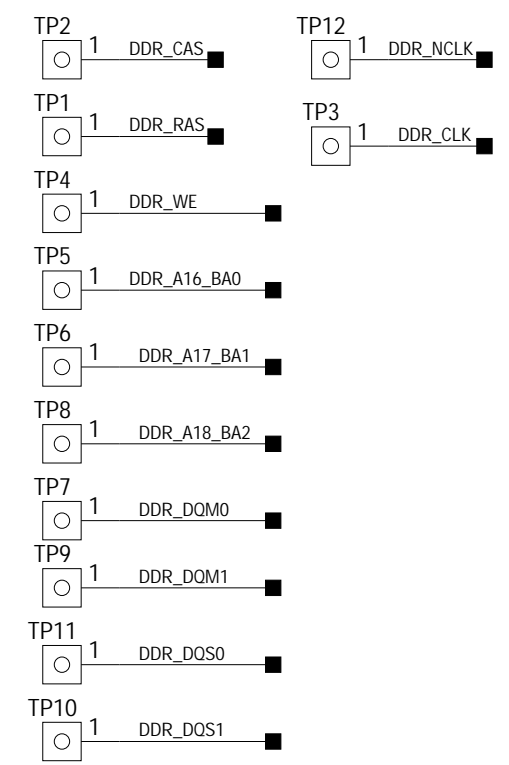
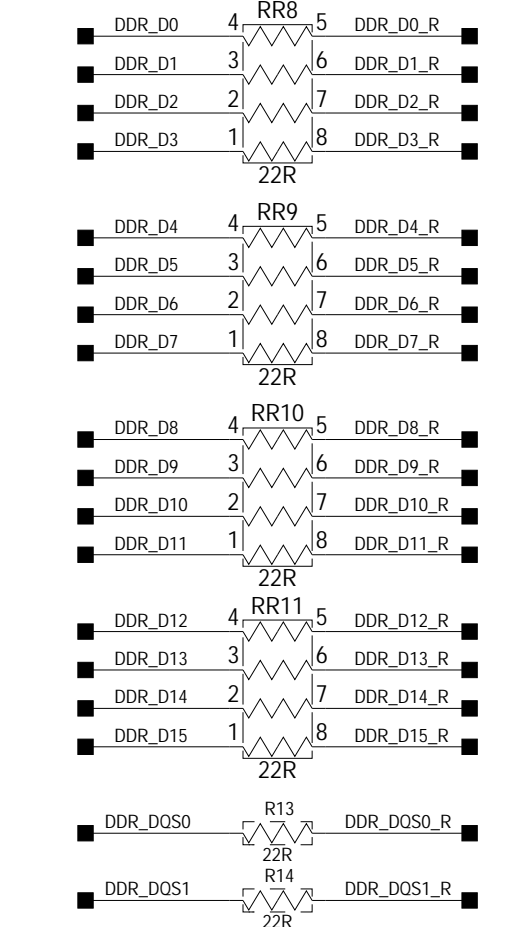
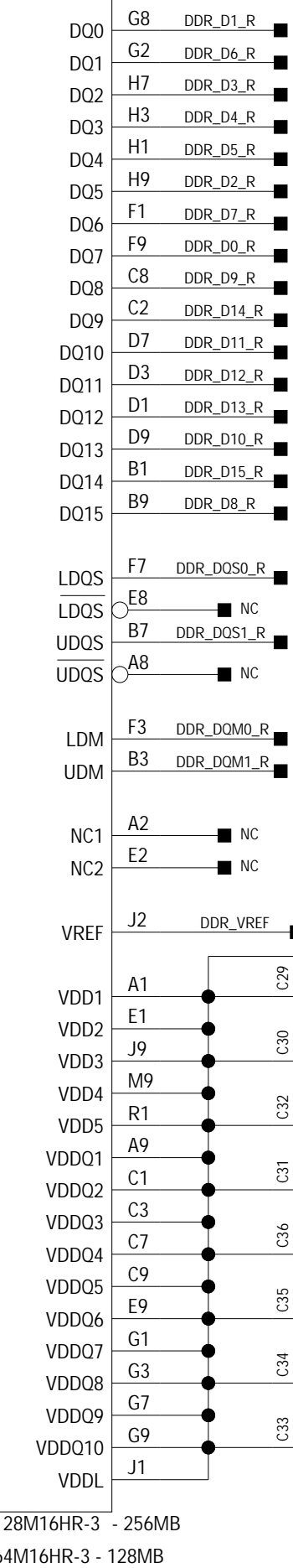
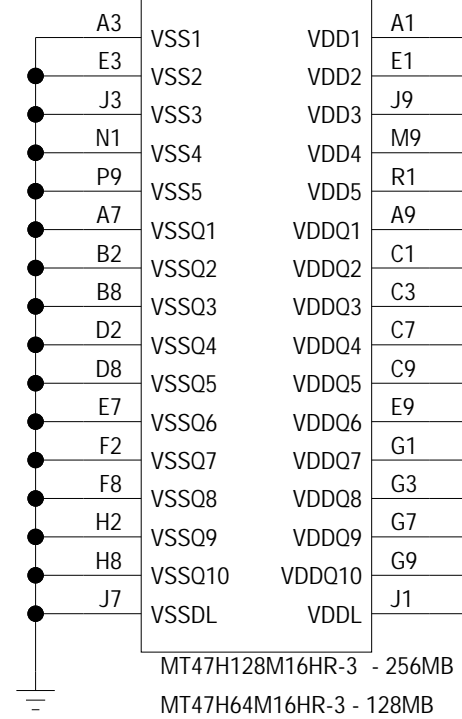
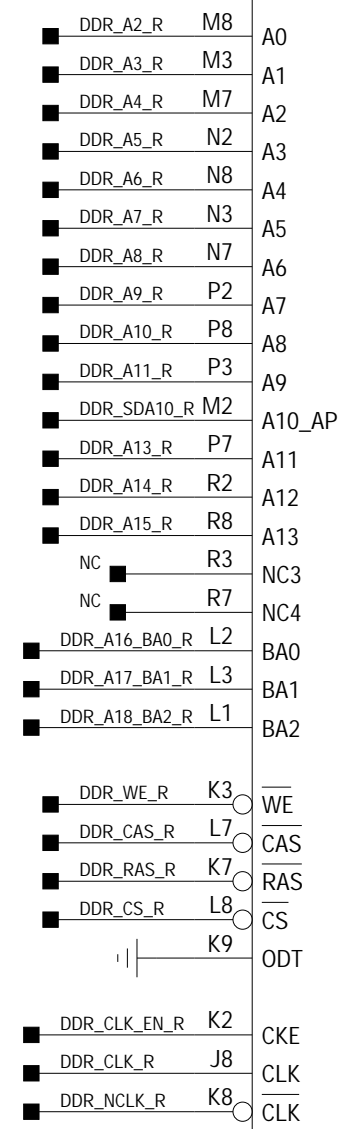
U1



AT91SAM9x5



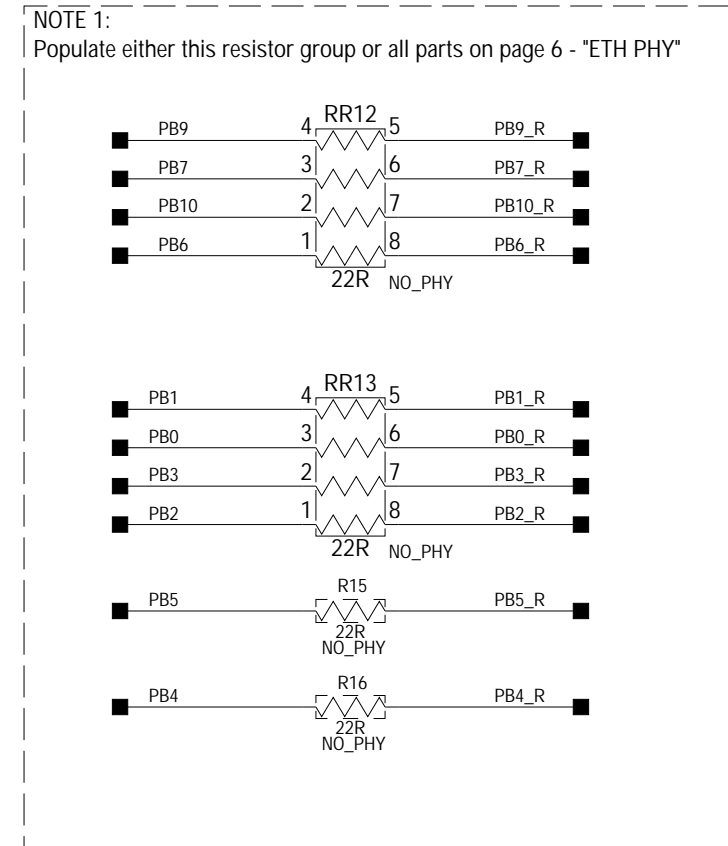
U4

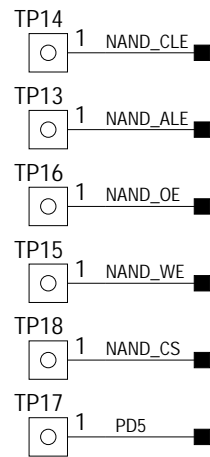


U1

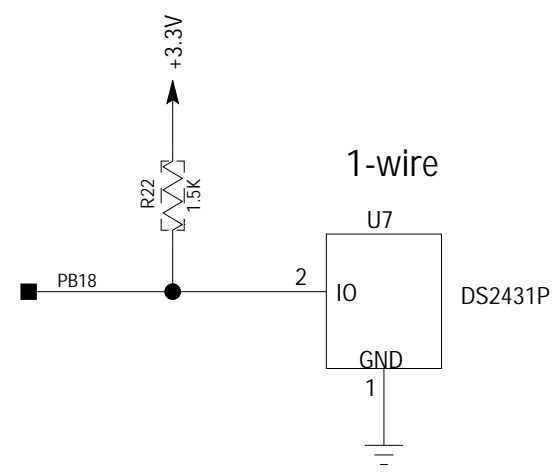
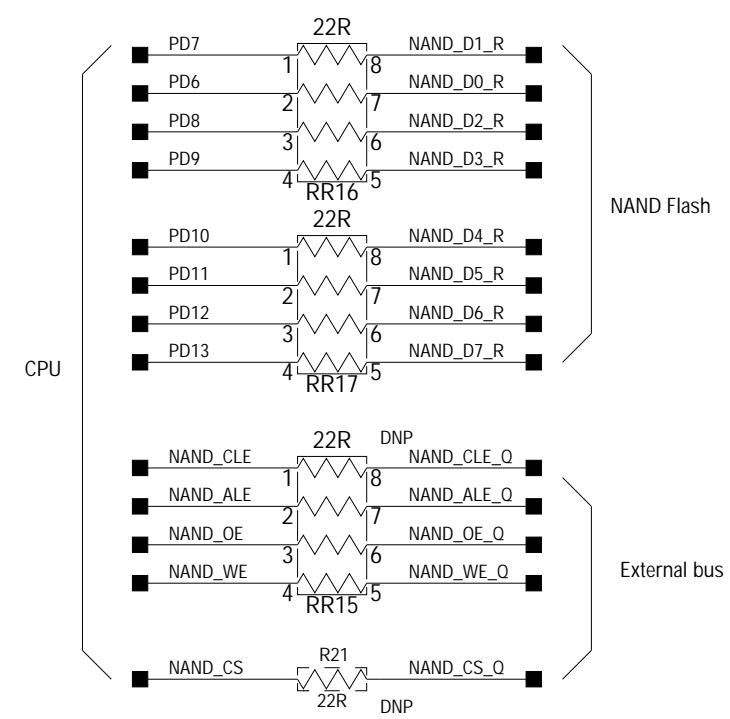
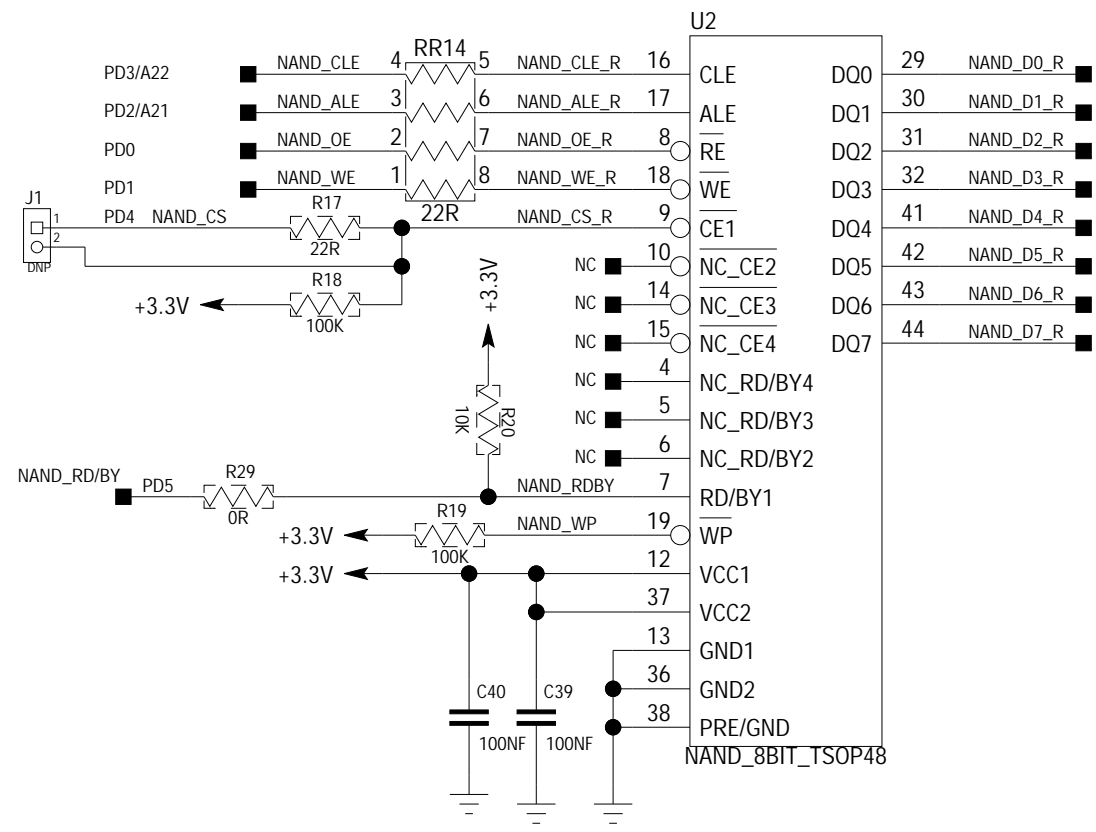
PA0	L3	PA0/TXD0/SPI1_NPCS1	PB0/E0_ERX0/RTS2	D3	PB0
PA1	P1	PA1/RXD0/SPI0_NPCS2	PB1/E0_ERX1/CTS2	D4	PB1
PA2	L4	PA2/RTS0/MCI1_DA1/E0_ETX0	PB2/E0_ERXER/SCK2	D2	PB2
PA3	N4	PA3/CTS0/MCI1_DA2/E0_ETX1	PB3/E0_ERXDV/SPI0_NPCS3	E4	PB3
PA4	T3	PA4/SCK0/MCI1_DA3/E0_ETXER	PB4/E0_ETXCK/TWD2	D1	PB4
PA5	R1	PA5/TXD1/CANTX1	PB5/E0_EMDIO/TWCK2	E3	PB5
PA6	R4	PA6/RXD1/CANRX1	PB6/AD7/E0_EMDC	B3	PB6
PA7	R3	PA7/TXD2/SPI0_NPCS1	PB7/AD8/E0_ETXEN	C2	PB7
PA8	P4	PA8/RXD2/SPI1_NPCS0	PB8/AD9/E0_ETXER	C5	PB8
PA9	U3	PA9/DRXD/CANRX0	PB9/AD10/E0_ETX0/PCK1	C1	PB9
PA10	T1	PA10/DTXD/CANTX0	PB10/AD11/E0_ETX1/PCK0	C4	PB10
PA11	U1	PA11/SPI0_MISO/MCI1_DAO	PB11/AD0/E0_ETX2/PWM0	A3	PB11
PA12	T2	PA12/SPI0_MOSI/MCI1_CDA	PB12/AD1/E0_ETX3/PWM1	B4	PB12
PA13	T4	PA13/SPI0_SPCK/MCI1_CK	PB13/AD2/E0_ERX2/PWM2	A2	PB13
PA14	U2	PA14/SPI0_NPCS0	PB14/AD3/E0_ERX3/PWM3	C4	PB14
PA15	U4	PA15/MCIO_DAO	PB15/AD4/E0_ERXCK	C3	PB15
PA16	P5	PA16/MCIO_CDA	PB16/AD5/E0_ECRS	A1	PB16
PA17	R5	PA17/MCIO_CK	PB17/AD6/E0_ECOL	B1	PB17
PA18	U5	PA18/MCIO_DAO	PB18/IRQ/ADTRG	D5	PB18
PA19	T5	PA19/MCIO_DAO			
PA20	U6	PA20/MCIO_DAO	PC0/LCDDAT0/ISI_D0/TWD1	E2	PC0
PA21	T6	PA21/TIOA0/SPI1_MISO	PC1/LCDDAT1/ISI_D1/TWCK1	F4	PC1
PA22	R6	PA22/TIOA1/SPI1_MOSI	PC2/LCDDAT2/ISI_D2/TIOA3	F3	PC2
PA23	U7	PA23/TIOA2/SPI1_SPCK	PC3/LCDDAT3/ISI_D3/TIOB3	H2	PC3
PA24	T7	PA24/TCLK0/TK	PC4/LCDDAT4/ISI_D4/TCLK3	E1	PC4
PA25	T8	PA25/TCLK1/TF	PC5/LCDDAT5/ISI_D5/TIOA4	G4	PC5
PA26	R7	PA26/TCLK2/TD	PC6/LCDDAT6/ISI_D6/TIOB4	F2	PC6
PA27	P8	PA27/TIOB0/RD	PC7/LCDDAT7/ISI_D7/TCLK4	F1	PC7
PA28	U8	PA28/TIOB1/RK	PC8/LCDDAT8/ISI_D8/UTXD0	G1	PC8
PA29	R9	PA29/TIOB2/RF	PC9/LCDDAT9/ISI_D9/URXD0	G3	PC9
PA30	R8	PA30/TWD0/SPI1_NPCS3/E0_EMDC	PC10/LCDDAT10/ISI_D10/PWM0	G2	PC10
PA31	U9	PA31/TWCK0/SPI1_NPCS2/E0_ETXEN	PC11/LCDDAT11/ISI_D11/PWM1	H3	PC11
			PC12/LCDDAT12/ISI_PCK/TIOA5	J3	PC12
			PC13/LCDDAT13/ISI_VSYNC/TIOB5	L2	PC13
			PC14/LCDDAT14/ISI_HSYNC/TCLK5	H1	PC14
			PC15/LCDDAT15/ISI_MCK/PCK0	J2	PC15
			PC16/LCDDAT16/E1_RXER/UTXD1	J1	PC16
			PC17/LCDDAT17/URXD1	L1	PC17
			PC18/LCDDAT18/E1_TX0/PWM0	K2	PC18
			PC19/LCDDAT19/E1_TX1/PWM1	N3	PC19
			PC20/LCDDAT20/E1_RX0/PWM2	K1	PC20
			PC21/LCDDAT21/E1_RX1/PWM3	M3	PC21
			PC22/LCDDAT22/TXD3	P3	PC22
			PC23/LCDDAT23/RXD3	J4	PC23
			PC24/LCDDISP/RTS3	K3	PC24
			PC25/CTS3	M2	PC25
			PC26/LCDPWM/SCK3	P2	PC26
			PC27/LCDVSYNC/E1_TXEN/RTS1	M1	PC27
			PC28/LCDHSYNC/E1_CRSDV/CTS1	K4	PC28
			PC29/LCDDEN/E1_TXCK/SCK1	N1	PC29
			PC30/LCDPCK/E1_MDC	R2	PC30
			PC31/FIQ/E1_MDIO/PCK1	N2	PC31

AT91SAM9x5

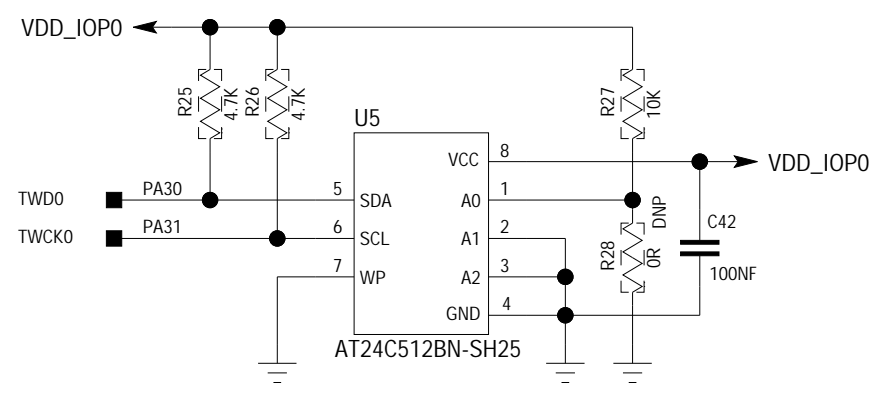




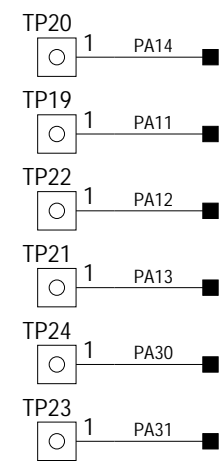
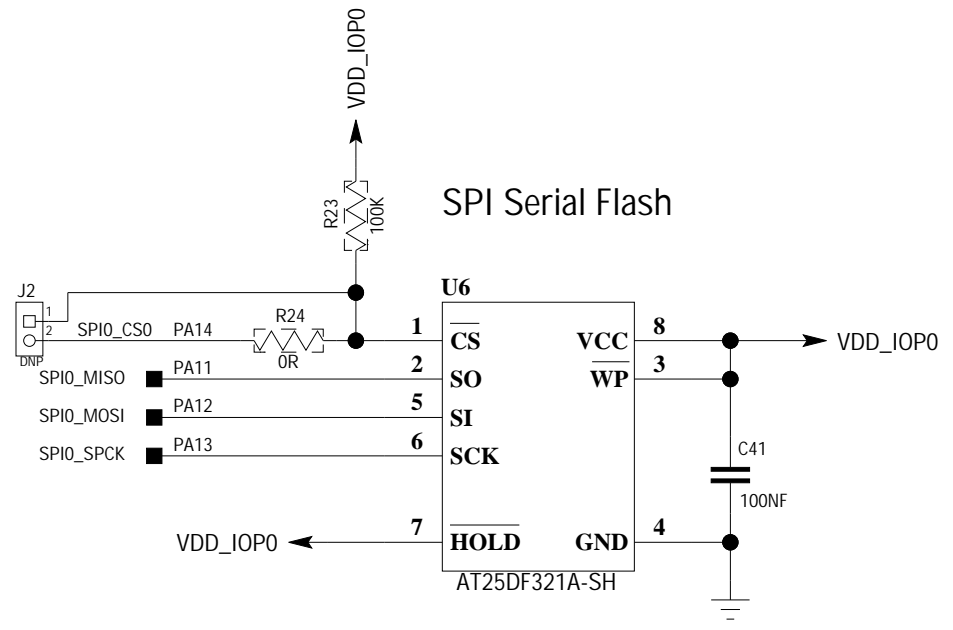
NAND Flash

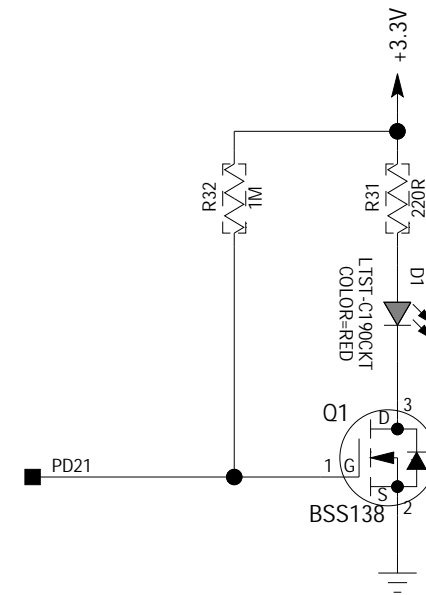
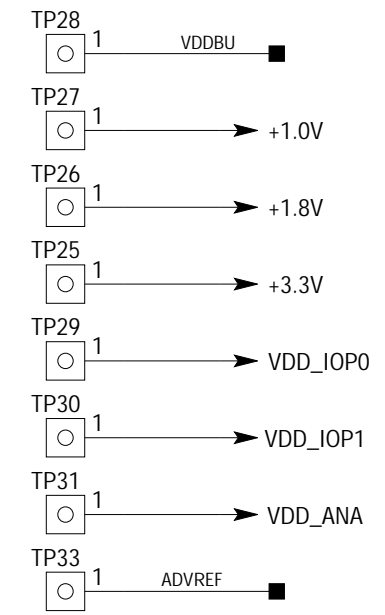
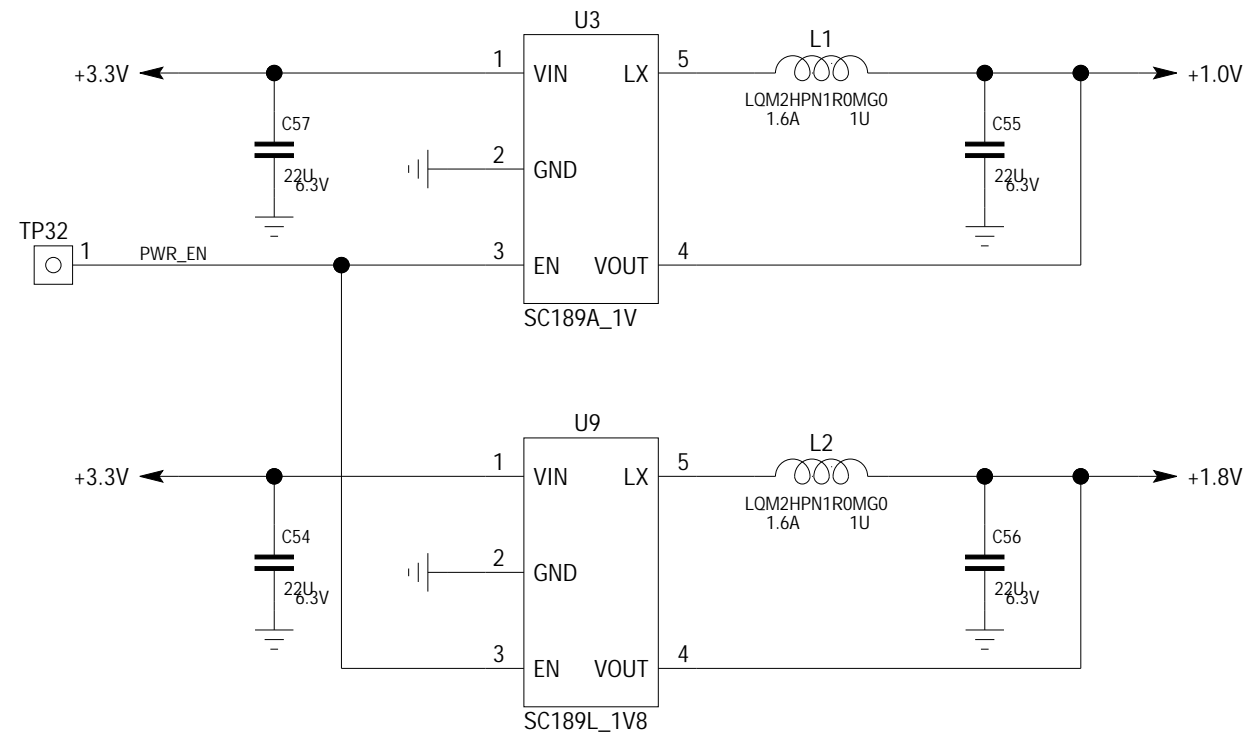


I2C EEPROM

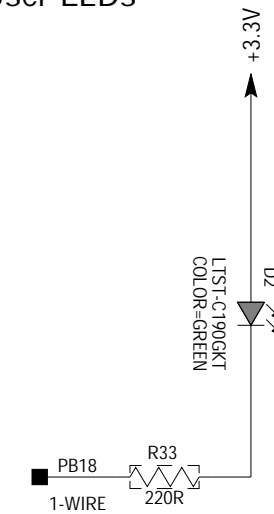


SPI Serial Flash





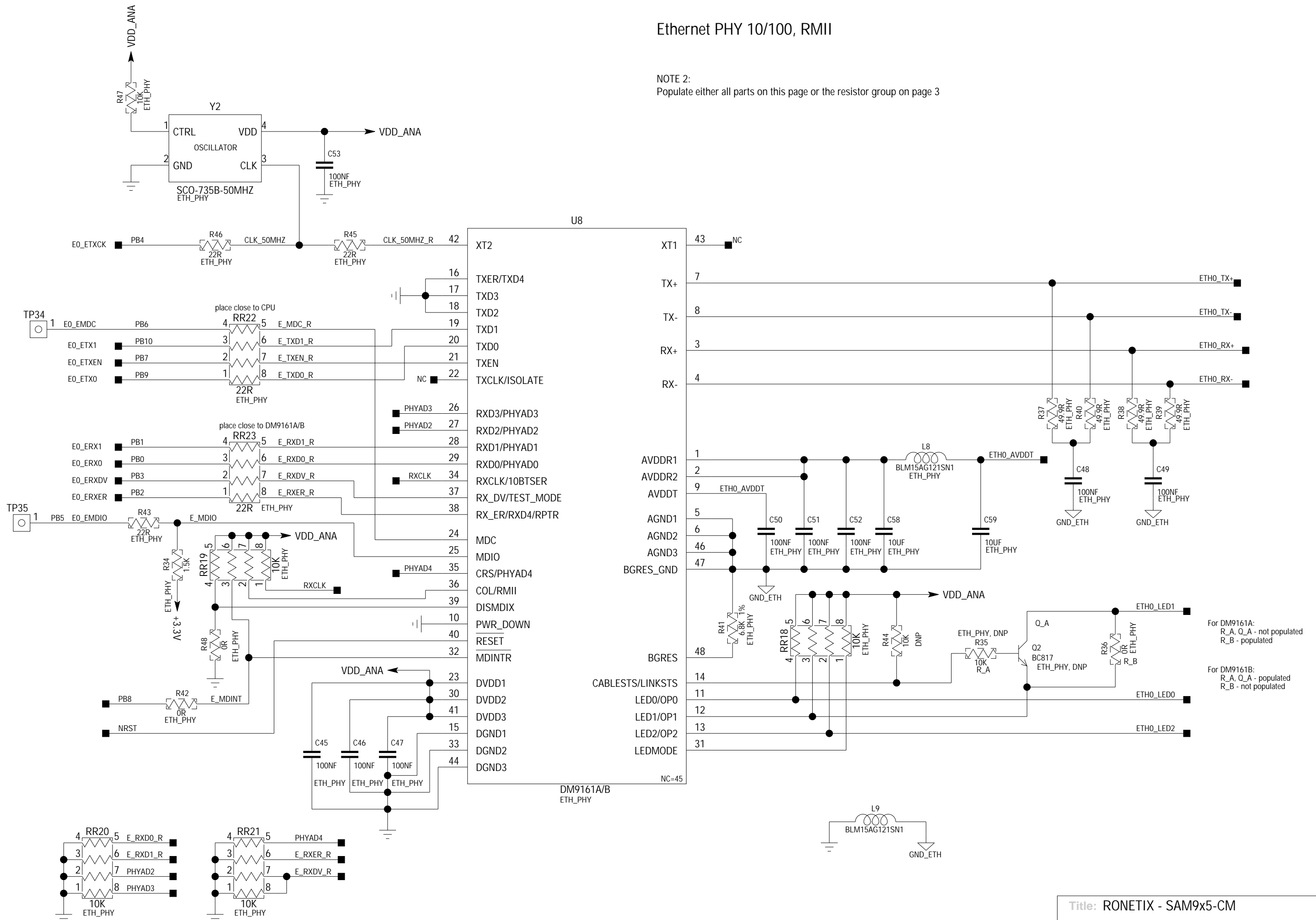
User LEDs

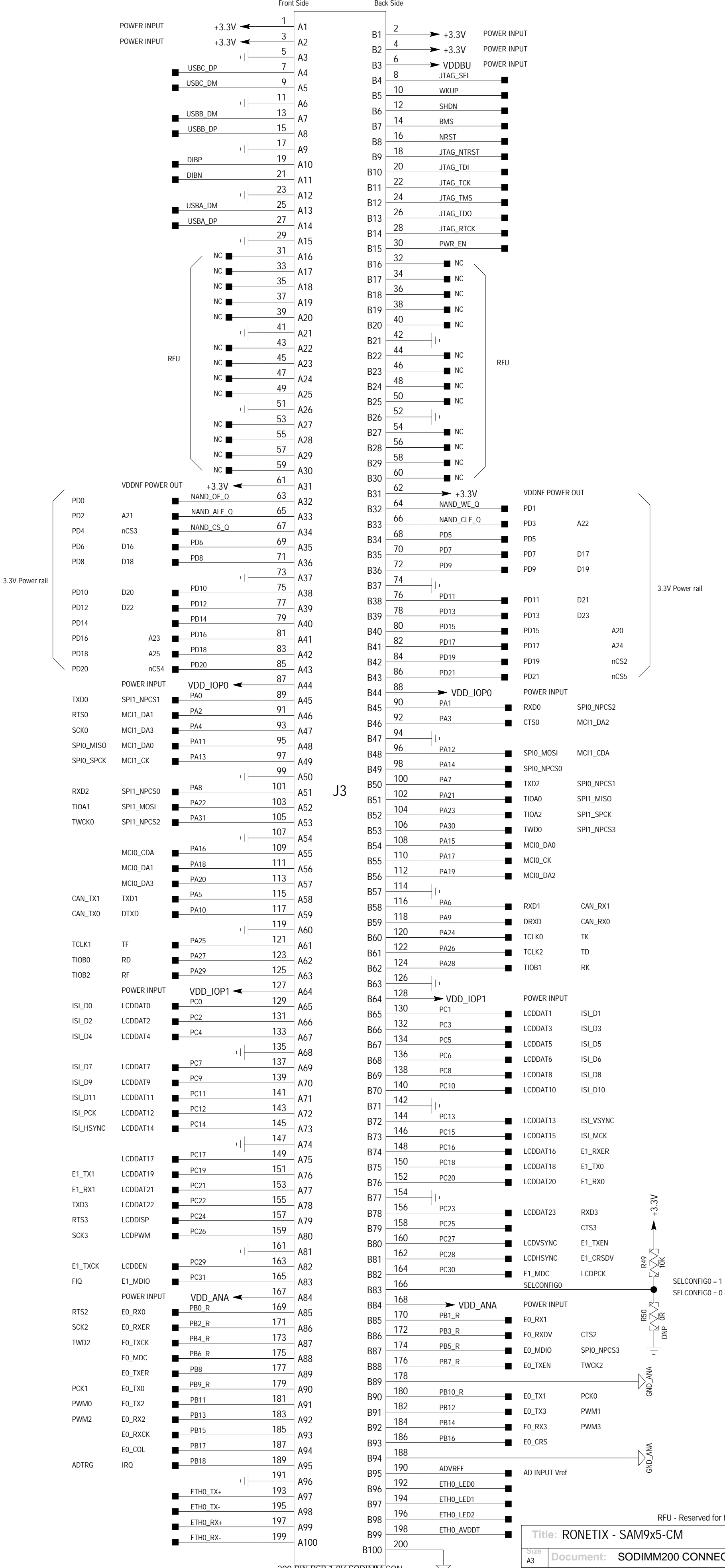


Title: RNETIX - SAM9x5-CM		
Size A3	Document: POWER SUPPLY	Rev. 2.0
Date: 5-24-2011_16:48	Sheet 5	of 7

Ethernet PHY 10/100, RMII

NOTE 2:
Populate either all parts on this page or the resistor group on page 3





200 PIN PCB 1.8V SODIMM CON

RFU - Reserved for future use

Title: RONETIX - SAM9x5-CM		
Size A3	Document: SODIMM200 CONNECTOR	Rev. 2.0
Date: 5-24-2011_16:48	Sheet 7 of 7	