

ADAPTER: TI20 - TI14

TARGET

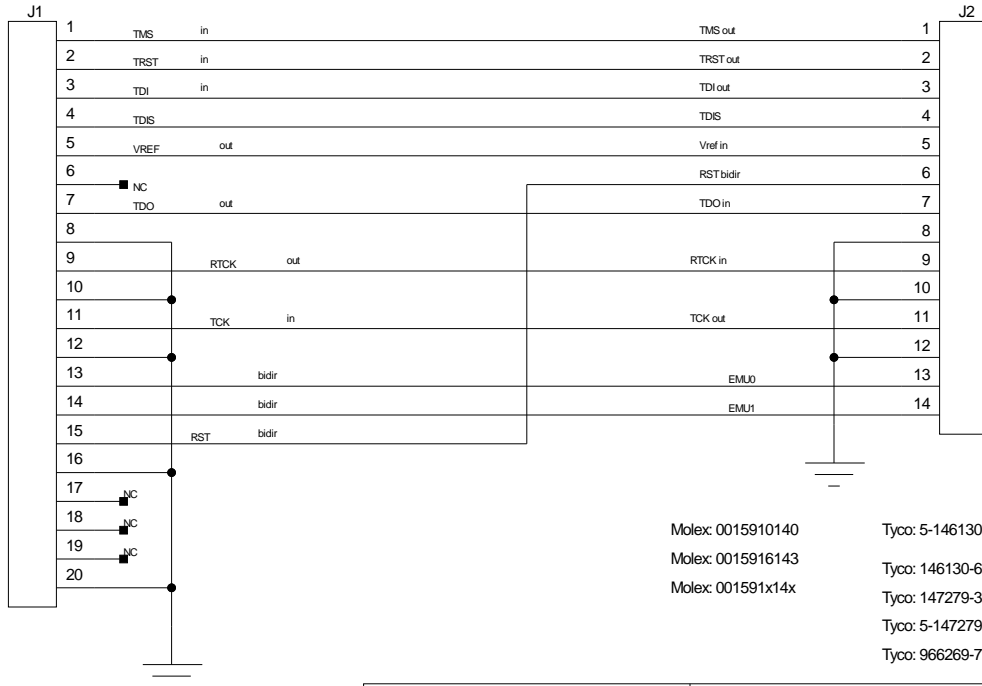
TI20pin CTI

1.27x2.54mm pitch

EMULATOR

TI 14 pin

2.54x2.54mm pitch



Molex: 0015910140

Molex: 0015916143

Molex: 001591x14x

Tyco: 5-146130-6

Tyco: 146130-6

Tyco: 147279-3

Tyco: 5-147279-3

Tyco: 966269-7

Samtec RSM-110-02-SD

Samtec RSM-110-02-LD

Harwin M52-5152045

Title:	TI20-TI14	Module:	ADAPTER		
Company:	RONETIX	Size	A4	Rev.	1.0
Author:	ILKO ILIEV	6-12-2009_17:09	Sheet	1 of	1